

WRP-8055 Receipt Printer

Features

- Fast receipt printing
- Print quality
- Flexible
- Reliable and durable
- Connectivity

Benefits

- Print up to 6 ips (inches per second) for fast customer check-outs.
- Utilizing thermal print technology, the printer produces high quality crisp receipts.
- Easily printed to from most POS software applications.
- With thermal printing, save the cost of expensive ink cartridges and wear and tear on print heads.
- Connection is easy; simply choose your model. Comes in either serial (RS232) or parallel (centronics) connectivity.



WRP-8055 Receipt Printer Specifications

PRINT

Print Method
Direct Thermal

Printing Speed
130mm/sec (5.511 IPS)

Dot Density
203 DPI x 180 DPI

Dot Pitch
0.141mm, 0.125mm

Printing Width
72mm, 552 dots/line

Characters Per Line
A=46 columns, B=61 columns

PAPER

Paper Type
Thermal paper/Roll type

Paper Width
80mm ± 0.1mm

Paper Thickness
0.06 ~ 0.09mm

Paper Roll Diameter
Max. 83.0mm

Roll Core Inner Diameter
12.5mm ± 0.5mm

Paper Supply Method
D&P (Drop and Print)
Mechanism

INTERFACES

RS-232 (Standard)
Parallel (Centronics)

BARCODES

EAN-8, EAN-13, CODE 39,
CODE 93, CODE 128, UPC-A,
UPC-E, CODABAR

CHARACTER SET

Alphanumeric Character
95

Extended Graphic
128 x 7 page (1 space page)

International Character
32

EMULATION

ESC/POS Command Compatible
TM-T88 (II), TSP552 (II), CBM233

ENVIRONMENTAL

Operating Temperature
5 to 40°C

Storage Temperature
-20 to 60°C

Relative Humidity
35 to 85%
10 to 90% (storage)

Safety Certification
FCC-Class A, UL, cUL

DRIVER

Epson® driver compatible or
generic text

POWER SUPPLY

External Adapter
AC 100V ~ 250V, 50/60Hz

AUTO CUTTER

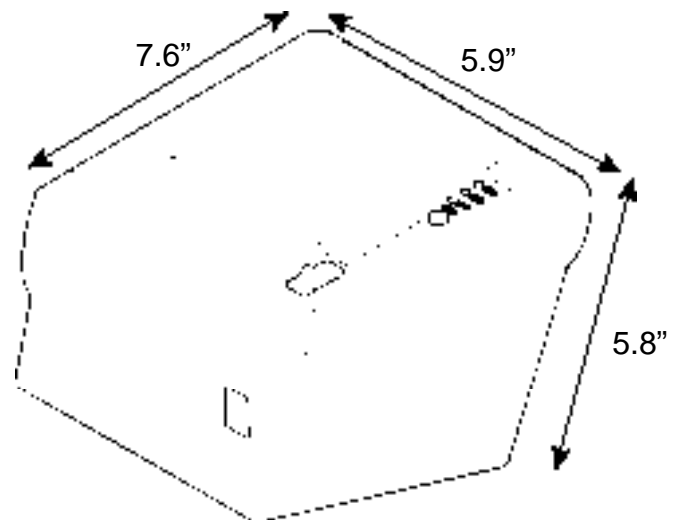
Type
Guillotine

Life
300,000 cuts

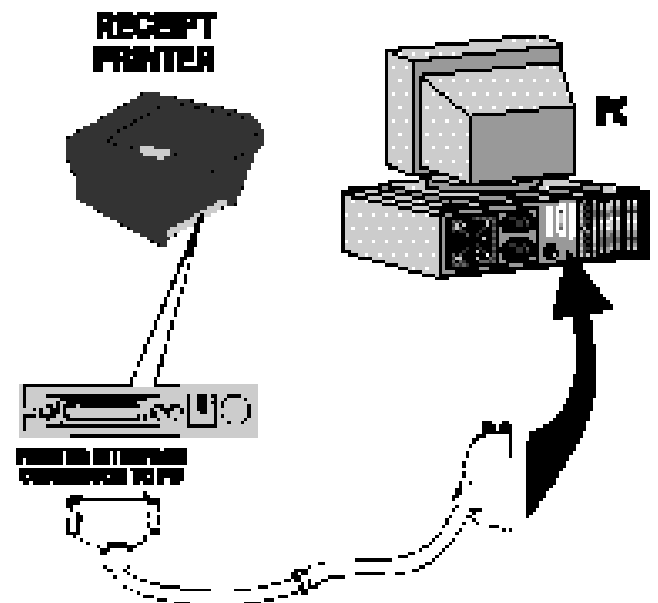
Paper Thickness
0.06 - 0.09mm

Cutting Method
Full/Partial Cut

OUTER DIMENSIONS



CONNECTIVITY DIAGRAM



Wasp Technologies

1400 10th Street
Plano, TX 75074
214-547-4100 • Fax: 214-547-4101
www.waspbarcode.com