

CCD LR Scanner

Features

- Easy to use
- Quick and easy install
- Long range scanning
- Hands-free scanning
- Fast and flexible data entry
- Ergonomic design

Benefits

- The CCD LR scanner comes ready to scan out of the box. No other software or drivers needed.
- Simply plug the scanner between your keyboard and PC. That's it! Start scanning immediately. (Optional USB interface).
- Scans bar codes up to 12 inches away.
- Use the CCD LR in hands-free mode to automate your processes (Stand required).
- Scan bar codes into your DOS, Windows 3.1, 9x, 2000, ME, XP and NT applications.
- Light-weight, gun-style design. Great for heavy duty scanning.



CCD LR Scanner Specifications

PERFORMANCE

Depth of Field
3.5" to 13.8" (5mil to 40mil)

Best Resolution
5mil to 20mil

Scanning Width
150mm (40 mil) / 0.9pcs

Scan Rate
150 scan / second
(Decoding Rate)

MECHANICAL

Dimensions
W 4.2" x T 2.4" x H 6.3"

Weight
5.5 oz (without cable)

Cable
8' in length,
interchangeable

Mechanical Shock
5ft (1.5m) Drop onto
Concrete Surface

AUTOSENSE STAND



ELECTRICAL

Light Source
660nm visible red LED

Sensor
3000 Pixels CCD arrays

Operating Voltage
+5 VDC +/- 10%

Current Consumption
Decoded:
Standby 25mA (Working) 150mA

ENVIRONMENTAL

Operating Temperature
32°F to 122°F

Storage Temperature
-20°C to 60°C

Relative Humidity
20% to 80%
non-condensing

Safety Certification
Conforms FCC class A and
CE requirements

INTERFACES

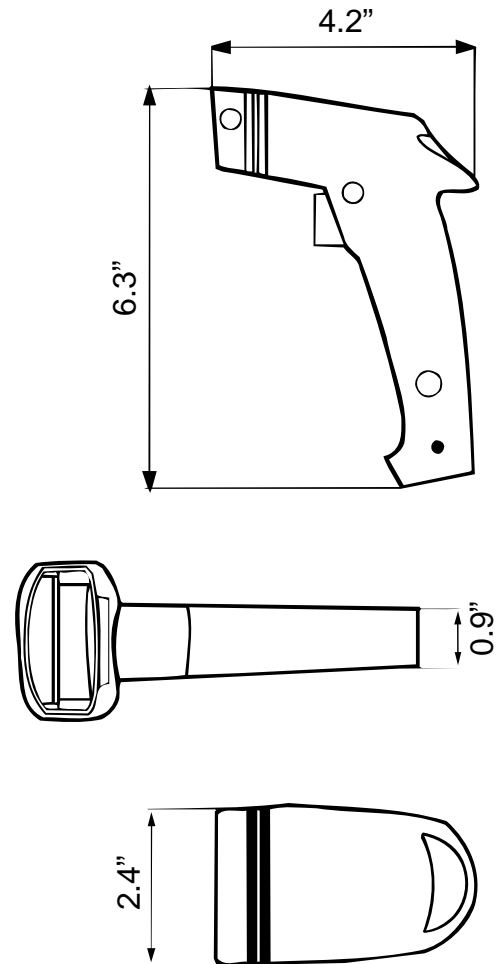
Keyboard wedge
PC AT/XT & PS2

USB Optional

SYMBOLOGIES

Code 39, Code 128, UCC-128,
UPC-A, UPC-E, EAN/JAN-8,
EAN/JAN-13, Interleaved 2 of 5,
Codabar, MSI Plessey

OUTER DIMENSIONS



SCANNING RANGE

