

# HCR350

## Machine Mounted Intelligent Dual Card Reader



The HCR350 is a smart International Standard Organization (ISO), Europay, Mastercard, Visa (EMV) and American Association of Motor Vehicle Administration (AAMVA) certified reader. It conforms to ISO7811, ISO7816 and EMV Level1. The HCR350 is an intelligent reader that also has writing capabilities. It is firmware upgradeable and can be used in transportation, retail, QSR, petroleum, parking and vending applications.

## Features and Benefits

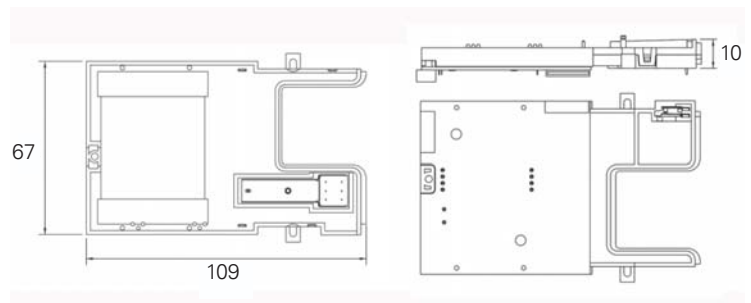
- EMV 2000 Level 1 certified
- Read/write CPU and Memory card
- Read/write smart cards conform to ISO 7816
- Read Magnetic stripe cards conform to ISO 7811, AAMVA, DMV
- Firmware upgradeable



M Bezel



S Bezel



Hospitality



Retail



Parking



Petroleum



Transportation



Vending



Kiosk

# HCR350

## Machine Mounted Intelligent Dual Card Reader

The HCR350 has a landing contact and comes in plastic or metal bezels with a very sleek and plush design. It is highly reliable and capable of half a million insertion life and also supports memory and CPU cards T=1/T=0. It fully conforms to Federal Communications Commission (FCC), European Conformity (CE) and Bureau of Standards, Metrology and Inspection (BSMI) Class A agency standards.

## Specifications

### ELECTRICAL

<b>Processor:</b>	32-bit processor with MMU (Memory Management Unit)
<b>Memory:</b>	16MB or 32MB Flash (Option) ; 16MB SDRAM ; 128KB SRAM with battery backup
<b>Magnetic Card Reader:</b>	ISO 7811; triple track reading
<b>Smart Card Reader:</b>	ISO 7816, CPU card /T=0 & T=1
<b>SAM Module:</b>	0 or 3 SAM modules sockets
<b>Contactless:</b>	add-on Contactless module (option); supports all layers of ISO14443 Type A&B communication scheme
<b>Memory Card:</b>	Micro SD Card Reader (support up to 2GB memory size)
<b>Communication:</b>	USB, RS232, USB + Power, Powered RS232; 10/100 BaseT Ethernet
<b>Power:</b>	5V, 500mA

### SECURITY

<b>PCI:</b>	PCI 3.0 approved for on-line and off-line
<b>EMV:</b>	Level 1 and Level 2 certified

### PERFORMANCE

<b>Mag. Card operating speed:</b>	Operating Speed 10 IPS to 40 IPS
<b>Smart Card:</b>	Supports 3V and 5V card types
<b>Encrypting PIN Block:</b>	ANSI X9.8 format
<b>Encryption Methods:</b>	TDES, RSA, AES, MAC and SHA-1
<b>Key Management:</b>	Master/Session and DUKPT (ANSI X9.24-2002)
<b>MAC Generation:</b>	ANSI X9.19
<b>Magnetic Head Life:</b>	1,000,000 Swipes

### ENVIRONMENTAL

<b>Operating Temperature:</b>	0°C to 40°C , Humidity 10 to 90%
<b>Storage Temperature:</b>	-18°C to 70°C, Humidity 10 to 90%

### AGENCY APPROVAL

CE, FCC



#### UIC USA

47341 Bayside Parkway, Fremont,  
CA94538, USA  
Tel: 510-438-6799 Fax: 510-438-6790  
info@uicusa.com

#### UIC Taiwan

1F, No.1, Ln 15, Ziqiang St., Tucheng Dist.,  
New Taipei City 236, Taiwan.  
Tel: 886-2-2268-7075 Fax: 886-2-2269-5686  
salesupport@uniform.com.tw

#### UIC Europe GmbH

Daimlerstraße 6, 61449 Steinbach  
am Taunus, Germany  
Tel: +49 6171 2088 Fax: +49 6171 2088 413  
info@uiceurope.com