



# ORiNOCO™ Active Ethernet Solutions



The ORiNOCO Active Ethernet solution provides Power over Ethernet (PoE) capabilities for the ORiNOCO product line of enterprise, outdoor and public area wireless networking equipment, including including ORiNOCO Access Points and Tsunami MP.11 outdoor equipment.

## The cost-effective Power over Ethernet solution

The ORiNOCO Active Ethernet solution eliminates the need for power units (AC to DC converters) and 110/220 V AC cabling installation. With the Active Ethernet solution, system installation requires only a single Ethernet cable for each Access Point, rather than separate power and data cables.

## The right-sized Power over Ethernet solution

The ORiNOCO Active Ethernet solution encompasses a "power injector", typically installed in the wiring closet, that "injects" DC power to the Ethernet cable. This device is available in three models: for handling twelve ORiNOCO infrastructure units (19" rack slot), for handling six ORiNOCO infrastructure units and for handling one ORiNOCO infrastructure unit.

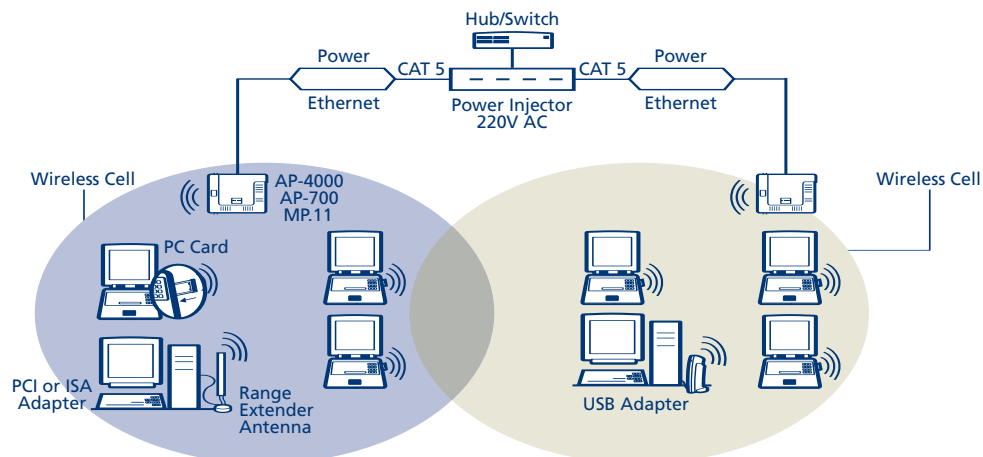
## The intelligent Power over Ethernet solution

The ORiNOCO Active Ethernet power injection unit includes Automatic Load Sensing, which constantly checks for the presence of connected devices that can handle PoE. When no devices are detected, power is turned off for that port, protecting other devices connected to the Ethernet cable, preventing permanent damage and resulting network downtime.

The ORiNOCO Active Ethernet is part of the complete ORiNOCO product family of infrastructure and client products - all you need to deliver wireless LAN functionality in the Enterprise, Public Domain, Small Business or Home or Small Office.

## ORINOCO ACTIVE ETHERNET FEATURES

- Provides DC over Ethernet cable to ORiNOCO and some Tsunami infrastructure products (AP-2000, AP-600, AP-700, AP-4000 and MP.11-non-ruggedized products only)
- Preventing power on if Ethernet is incorrectly connected which protects against installation errors
- Significant savings on installation costs
- Supports Automatic Load Sensing, with power current limitation and voltage protection, eliminating the risk of damaging Ethernet cabling or connected equipment



## About Proxim

Proxim Corporation is a global leader in wireless networking equipment for Wi-Fi and broadband wireless networks. Proxim provides solutions for mobile enterprise applications, security and surveillance, last mile access, voice and data backhaul, public hot spots, and metropolitan area networks. Product families include ORiNOCO Wi-Fi products, Tsunami Ethernet bridges, and Lynx point-to-point digital radios.

## ORiNOCO Active Ethernet Specifications

### ADDITIONAL FEATURES

- Remote power feeding: AP-2000, AP-600, AP-4000, AP-700 and MP.11 (non-ruggedized products only) receives power over the Ethernet cable
- Centralized power distribution; Multiple infrastructure devices can be connected to a single AE Injector
- Smart Ethernet wiring; AE acts as a normal patch panel and places approx. 48 VDC on unused Ethernet pins

### ETHERNET INTERFACE

Input (Data In): 1.6 or 12 ports; Ethernet 10/100 Mbps RJ 45 female socket  
Output (Data and Power Out): 6 or 12 ports; Ethernet 10/100 Mbps, plus approx 48 VDC RJ 45 female socket; with DC voltage on wire pairs 7-8 and 4-5

### PHYSICAL SPECIFICATIONS

Dimensions	1-port = 35 x 105 x 140 mm 6-port = 44 x 215 x 335 mm 12-port = 66 x 440 x 301 mm
Weight	1-port = 0.5 kg 6-port = 1.5 kg 12-port = 3.2 kg

### ENVIRONMENTAL SPECIFICATIONS

	TEMPERATURE	HUMIDITY (NON CONDENSING)
Operating	0°C – 55°C	10-90%
Storage	-20°C – 75°C	10-90%

### POWER SUPPLY

Input Voltage	90-264 VAC (47-63 Hz)
Input Current at 110 VAC	3.6 Amperes
Total Power Consumption, Continuous, 6 ports at full load	225 Watts
Output Power, per Port	15 Watts
Nominal Output Voltage, per Port	42-52 VDC, metal enclosure; 19 inch rack mount

### WARRANTY

1 year

### PACKAGE CONTENTS

- Power over Ethernet injector units
- Power cable
- Getting Started Guide

Proxim Corporation	tel: 800.229.1630
2115 O'Nel Drive	tel: 408.731.2700
San Jose, CA 95131	fax: 408.731.3675

Microsoft, Windows, Windows ME and the Windows logo are either registered trademarks or trademarks of Microsoft Corporation in the United States and/or other countries.

©2005 Proxim Corporation. All rights reserved. ORiNOCO is a registered trademark, and Proxim and the Proxim logo are trademarks of Proxim Corporation. All other trademarks mentioned herein are property of their respective owners. Specifications are subject to change without notice.