

The Planar PS4200 is a 42" professional LCD display delivering multiple connectivity options, enhanced durability, and superior visual performance. To meet the requirements of demanding public signage and corporate applications, the Planar PS4200 provides full HD 1080p resolution with advanced features such as automatic/manual backlight control, video wall support, and RS-232 control. For added protection, the metal bezel on the Planar PS4200 improves durability and reduces heat load on the LCD. The Planar PS4200 is the ideal combination of value, performance, and reliability for any professional large format monitor application.



FEATURES

Comprehensive set of data and video inputs

Durable metal bezel

Wide range of advanced features for professional applications

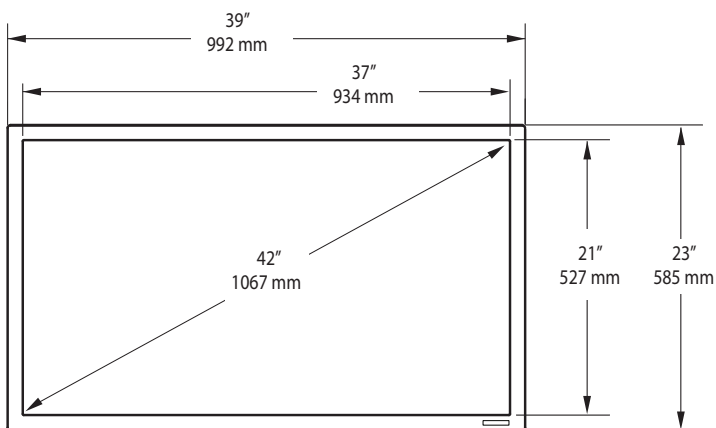
Superior full HD 1080p image quality with 500 cd/m² brightness

PLANAR PS4200

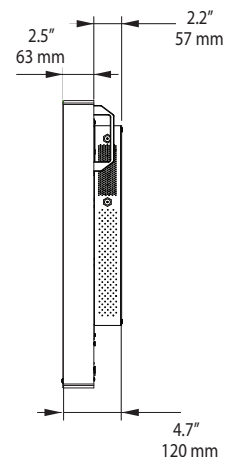
Display resolution	FHD 1080p (1920x1080)
Aspect ratio	16:9
Display type	LCD Active Matrix Flat Panel Display (TFT)
Viewable size	42" diagonal
Cabinet dimensions (WxHxD)	39.1" x 23.0" x 4.7" (992.0mm x 585.0mm x 119.6mm)
Bezel width	1.1" (29mm)
Brightness (typical)	500 cd/m ²
Response time (typical)	5 ms
Frame rate	60Hz
Contrast ratio (typical)	1500:1
Full viewing angle	178°
Color gamut	72% NTSC
Display weight	54 lbs (25 kg)
Shipping weight	62 lbs (28 kg)
Backlight type	CCFL (cold cathode fluorescent lamp)
Line voltage	100 - 240V; 50/60Hz
Power consumption (max)	190W (Max)
Ambient noise	Fanless
Operating temperature range	0-40°C (32 -104°F)
Operating humidity range	10-90% RH non-condensing
Safety regulations	FCC Class A, UL, CE
Inputs	HDMI, DVI, VGA, Composite Video, Component Video, S-Video
Audio input	Phone jack and L/R RCA jack
Audio output	RCA jack, external speaker connector (10W x 2)
Display control	RS-232C in/out, IR Remote Control, Keypad
Auto brightness control	Ambient light sensor
Enclosure	Metal, industrial
Display orientation	Landscape
Speakers	12W x 2 built-in
Mounting	VESA: 400 x 200mm; 8 holes PC Mounting: 100x200mm; 6 holes
Features	Video wall support up to 10x10 configuration, on/off scheduling, carrying handles, picture in picture (PiP)
Optional accessories	Flat wall mount, tilting wall mount, table stand
Warranty	3-year, 2-day advance replacement

PLANAR PS4200

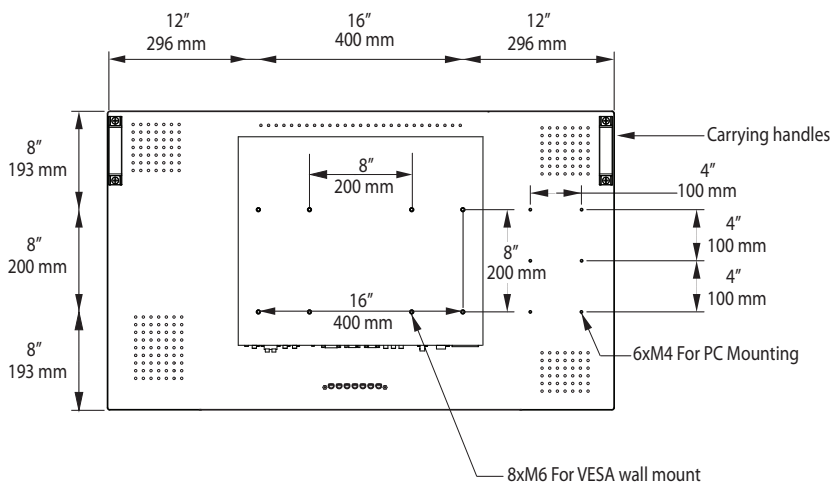
front



side



back



Standard inputs



For more information

To learn more about the Planar PS4200 by Planar Systems, call 503-748-1100 or visit www.planardigitalsignage.com.



When image experience matters.

Planar Systems, Inc.
1195 NW Compton Drive
Beaverton, OR, 97006-1992, USA
Toll Free +1-866-475-2627
www.planar.com

Planar is a trademark of Planar Systems, Inc. All other trade and service marks are the property of their holders.

Copyright © 2011 Planar Systems, Inc. All rights reserved. This document may not be copied in any form without written permission from Planar Systems, Inc. Information in this document is subject to change without notice.

15525 7/11