

NTSC WV-CW504S (24 V AC or 12 V DC)
 PAL WV-CW500S (220 ~ 240 V AC)
 WV-CW504F (24 V AC or 12 V DC)
 WV-CW504S (24 V AC or 12 V DC)



Super Dynamic 5 Vandal Resistant Fixed Dome Camera with ABS (Adaptive Black Stretch), i-VMD (intelligent-Video Motion Detection) and ABF (Auto Back Focus)

Key Features

- **Super Dynamic 5** delivers Superior image by fusion of Super Dynamic, ABS (Adaptive Black Stretch) and i-VMD (intelligent-Video Motion Detection) intelligence technology.
- High resolution: 650 TV lines typical (Color mode), 700 TV lines minimum (B/W mode)
- High sensitivity with Day/Night function: 0.1 lux (Color), 0.01 lux (B/W) at F1.4 (Wide). IR cut filter switches on/off to enhance the sensitivity in B/W mode.
- i-VMD (intelligent-Video Motion Detection) including video motion detection, object detection (removal and left behind), scene change detection when lens is covered, spray painted, removed or defocused
- ABF (Auto Back Focus) ensures easy installation and stable focus in both color and B/W modes.
- 3-dimensional color conversion function for natural color reproduction even in lower color temperature situation
- Adaptive Digital Noise Reduction: Integration of 2D-DNR and 3D-DNR ensures noise reduction in various conditions.
- Electronic sensitivity enhancement: Auto (Up to 32x) / Manual (Up to 32x)
- Electronic shutter from 1/100 (NTSC), 1/120 (PAL) to 1/10,000 sec.
- 3.8 ~ 8.0 mm, 2x Varifocal Auto Iris lens with 2x digital zoom
- Auto Image Stabilizer for applications where vibration or wind is a concern
- Internal / Line-lock / Multiplexed Vertical Drive (VD2) synchronization
- Over the coaxial cable data communication
- 16 alphanumeric camera title display
- Multi language: English, French, Italian, Spanish, German, Russian, Japanese
- IP66 rated water and dust resistant. Compatible with IEC60529 measurement standard.
- Dehumidification device for use in various weather conditions
- Vandal resistant mechanism for high reliability

- Monitor output for easier installation
- 3-way hinge (horizontal, vertical and swivel rotation) for easy installation
- 2 pcs. mounting bracket structure for easy cable connection
- Various mounting options: Flush mount (F type), Surface mount (S type), Embedded ceiling mount (with optional WV-Q169)
- Optional heater maintains operating temperature $-30^{\circ}\text{C} \sim +50^{\circ}\text{C}$ ($-22^{\circ}\text{F} \sim 122^{\circ}\text{F}$)

Standard Accessories

- | | |
|--|---|
| <ul style="list-style-type: none"> • CD-ROM (including Operating Instructions) ... 1 pc. • Installation Guide 1 pc. • Camera Mount Bracket (for WV-CW504S/CW500S) 1 pc. | <ul style="list-style-type: none"> • Fixing Screws for Camera Mount Bracket (M4 x 8) (for WV-CW504S/CW500S) 5 pcs. • Camera Attachment 1 pc. • Bit for Tamperproof Screw 1 pc. • Butyl Tape 1 pc. |
|--|---|

Optional Accessories

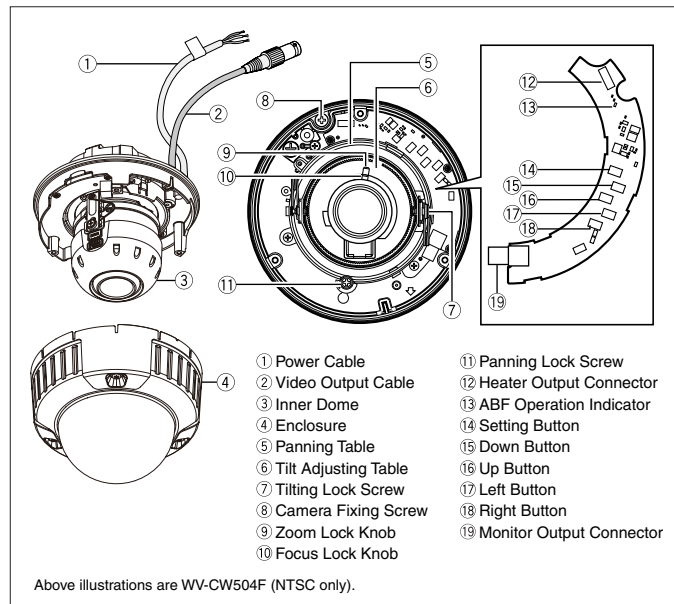
<p>Mount Bracket for WV-CW504F WV-Q115</p>	<p>Heater Unit WV-CW5H</p>
<p>Embedded Ceiling Mount Bracket WV-Q169</p>	<p>Smoke Dome Cover WV-CW4S</p>

Specifications

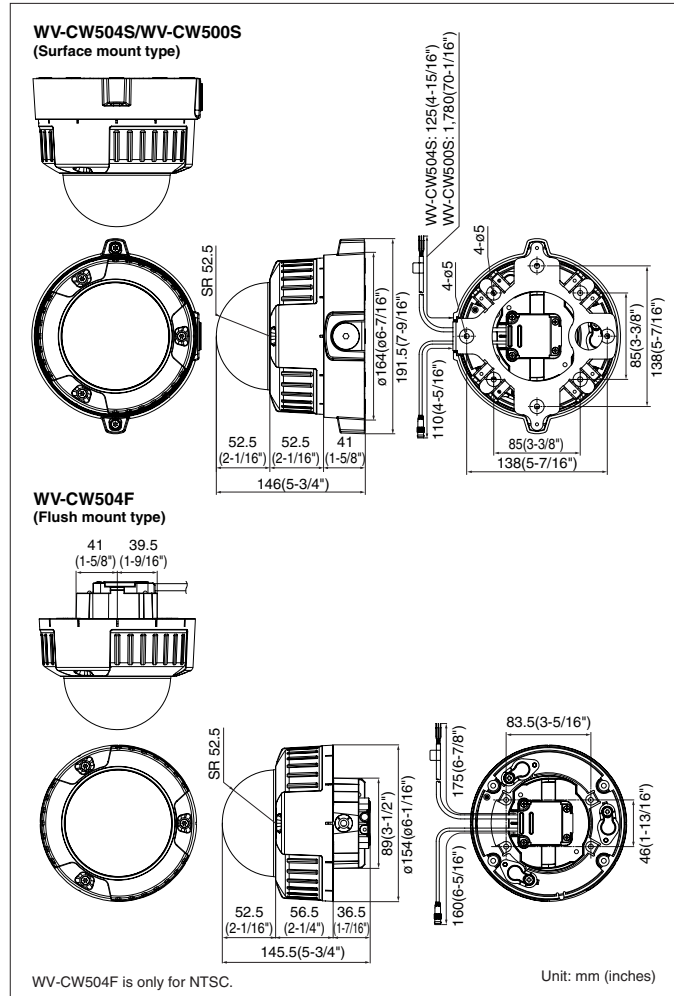
TV System	NTSC	PAL
Type	WV-CW504S: Surface mount type	
	WV-CW504F: Flush mount type	WV-CW500S: Surface mount type
Camera	1/3 inch interline transfer CCD	
Image Sensor	976 (H) x 494 (V)	
Effective Pixels	976 (H) x 582 (V)	
Scanning Mode	2:1 interlace scan	
Scanning Area	4.8 (H) x 3.6 (V) mm	
Scanning Frequency	Horizontal: 15.734 kHz Vertical: 59.94 Hz	Horizontal: 15.625 kHz Vertical: 50 Hz
Scanning Line	525 lines	625 lines
Horizontal Resolution	650 TV lines typical at color mode, 700 TV lines at B/W mode	
Minimum Illumination *1	Color: 0.1 lux (SENS UP: OFF), 0.003 lux*2 (SENS UP: 32x) at F1.4 B/W: 0.01 lux (SENS UP: OFF), 0.0003 lux*2 (SENS UP: 32x) at F1.4	
Signal-to-Noise Ratio	50 dB (AGC Off, Weight On)	
White Balance	ATW1 (2,700 - 6,000 K), ATW2 (2,000 - 6,000 K), or AWC (2,000 - 10,000 K)	
Light Control	ALC / ALC+	
AGC	ON (HIGH / MID / LOW) / OFF	
Super Dynamic 5	ON / ON (i-VMD) / OFF (with BLC masking 8 x 6 areas)	
Dynamic Range	52 dB typical (Super Dynamic 5 ON)	54 dB typical (Super Dynamic 5 ON)
Electronic Shutter	OFF (1/60), 1/100, 1/250, 1/500, 1/1,000, 1/2,000, 1/4,000, 1/10,000 s	OFF (1/50), 1/120, 1/250, 1/500, 1/1,000, 1/2,000, 1/4,000, 1/10,000 s
Electronic Sensitivity UP	OFF / AUTO (2x, 4x, 6x, 10x, 16x, 32x) / FIX (2x, 4x, 6x, 10x, 16x, 32x)	
Digital Noise Reduction	High / Low	
Black and White Mode	Mode: AUTO1 / AUTO2 / ON / OFF	
Digital Zoom	ON (up to 2x) / OFF	
Scene File	2 patterns	
i-VMD (intelligent-Video Motion Detection)	Video Motion Detection, Object Detection (Removal and Left Behind), Scene Change Detection	
Privacy Zone	ON (Gray / Mosaic) or OFF	
Auto Image Stabilizer	ON / OFF	
Camera Title	Up to 16 characters	
Lens Mount	CS-mount	
Back Focus Adjustment	ABF (AUTO / PRESET / FIX), MANUAL-ADJ	
Synchronization	Internal (INT), Multiplexed Vertical Drive (VD2), Line-Lock (LL)	
Focal Length	3.8 ~ 8.0 mm, 2x varifocal	
Angular Field of View	H: 35.6° (Tele) ~ 73.6° (Wide) V: 26.6° (Tele) ~ 53.4° (Wide)	
Maximum Aperture Ratio	1 : 1.4 (Wide) ~ 1 : 1.8 (Tele)	
Focusing Range	1.2 m (3.9 ft.) ~ ∞	
ALC Drive	DC	
Panning Range	±170°	
Tilting Range	±75°	
Azimuth Range	±100°	
Video Output	1.0 V [P-P] / NTSC composite 75 Ω / BNC Connector Multiplexed VD2 and control data capable	1.0 V [P-P] / PAL composite 75 Ω / BNC Connector Multiplexed VD2 and control data capable
Monitor Output	1.0 V [P-P] / NTSC composite 75 Ω / RCA Jack	1.0 V [P-P] / PAL composite 75 Ω / RCA Jack
Dehumidification Device	Yes	
Setup Method	OSD setup menu	
Language	English, Russian (For setup menu and camera title), German, French, Italian, Spanish (For setup menu), Japanese (Only for camera title. Setup menu is in English.)	
Safety/EMC Standard	UL (UL60065), FCC (Part15 ClassA), CE (EN60065, EN55022 ClassB, EN55024) C-UL (CAN/CSA C22.2 No.60065), DOC (ICES003 ClassA)	
Power Source and Power Consumption	24 V AC 60 Hz, 3.4 W, 14 W*3 12 V DC, 280 mA*4	WV-CW500S: 220 - 240 V AC 50 Hz, 5.1 W, 16 W*3 WV-CW504S: 24 V AC 50 Hz, 3.4 W, 14 W*3 12 V DC, 280 mA*4
Ambient Operating Temperature	-10 °C ~ +50 °C (14 °F ~ 122 °F) -30 °C ~ +50 °C (-22 °F ~ 122 °F)*3	
Ambient Operating Humidity	90 % or less (without condensation)	
Water and Dust Resistance	IP66, IEC60529 measurement standard compatible	
Impact Protection	IEC 60068-2-75 test Eh, 50J	
Dimensions	WV-CW504S: ø164 mm x 146 mm (H), 191.5 mm (W) (Base Cover) ø6-7/16" x 5-3/4" (H), 7-9/16" (W) (Base Cover) WV-CW504F: ø154 mm x 145.5 mm (H) ø6-1/16" x 5-3/4" (H) WV-CW500S: ø164 mm x 146 mm (H), 191.5 mm (W) (Base Cover) ø6-7/16" x 5-3/4" (H), 7-9/16" (W) (Base Cover)	
Weight (approx.)	WV-CW504S: 1.70 kg (3.74 lbs.) WV-CW504F: 1.35 kg (2.97 lbs.) WV-CW500S: 1.85 kg (4.07 lbs.)	

*1 With standard Clear Dome Cover *2 Estimated figure *3 With optional Heater Unit WV-CW5H
*4 Optional Heater Unit WV-CW5H cannot be used under 12 V DC operation

Part Names and Functions



Appearance



Trademarks and registered trademarks

- "Super Dynamic", "SDII", "SDIII", "SD5", "SD5Link" and "i-Pro" logos are trademarks or registered trademarks of Panasonic Corporation.

Important

- Safety Precaution: carefully read the operating instructions and installation manual before using this product.

DISTRIBUTED BY:

Panasonic®

<http://panasonic.net/security/>

Printed in Japan (2A-044CL)

- All TV pictures are simulated.
- Weights and dimensions are approximate.
- Specifications are subject to change without notice.
- These products may be subject to export control regulations.
- All product pictures are NTSC models.