

Digital Signal Processing
1/3" B/W CCD Cameras
WV-BP330 series



Panasonic presents advanced CCTV technology to meet the demand of new and ever-changing applications. The 1/3" CCD Digital Signal Processing B/W WV-BP330 Series Cameras deliver outstanding high-quality pictures as well as versatile digital functions and system integration capability.

The WV-BP330 series cameras incorporate a 1/3" interline transfer type CCD (380,000 pixels: effective) and achieve high sensitivity of 0.008 fc (0.08 lx) at F1.4, outstanding 570-line horizontal resolution and signal-to-noise ratio of 50 dB.

With its advanced performance and expanded flexibility, the WV-BP330 series cameras meet your specific needs with an affordable cost/performance ratio.

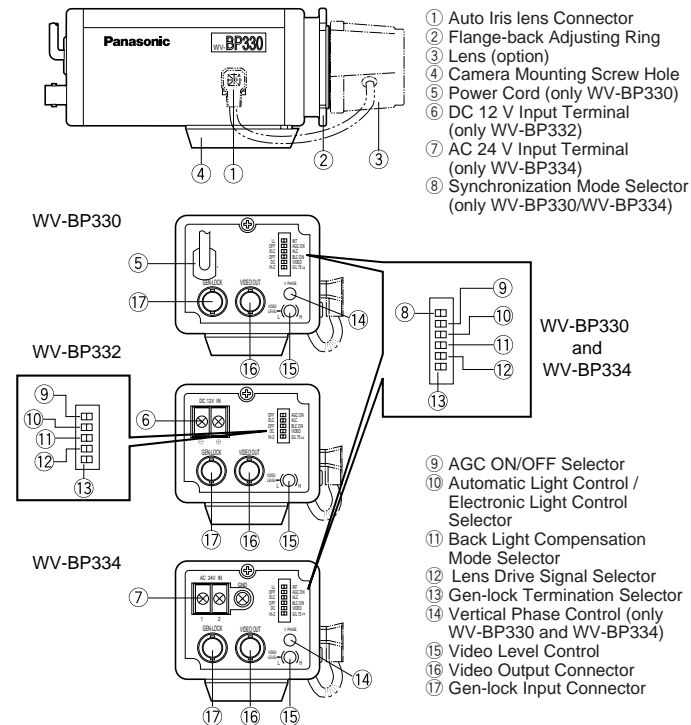
KEY FEATURES

- 1/3" CCD pick-up element with 768 (H) x 492 (V) pixels provides a high 570 lines of horizontal resolution.
- A vertical digital 2H enhancement improves signal strength at the horizontal and vertical edges to provide a crisper images.
- Knee circuit effectively expands the dynamic range when viewing brightly illuminated objects.
- Outstanding 50 dB of signal-to-noise ratio provides natural images.
- Minimum scene illumination of 0.008 fc (0.08 lx) at F1.4
- A specially developed lens mount configuration accepts both C and CS mount lenses, as well as both DC and Video voltage for ALC lenses.
- An advanced Electronic Light Control (ELC) enables the use of inexpensive fixed iris lenses for more cost effective systems.
- Gen-lock capability for system expandability, and other a variety of synchronization modes (Line-Lock, VD2, Internal).

- WV-BP330 Camera Series are
WV-BP330; 120V AC, 60 Hz
WV-BP332; 12V DC
WV-BP334; 24V AC, 60 Hz
- The maximum extensible coaxial cable length between the camera and the monitor is,

Type of coaxial cable		RG-59/U (3C-2V)	RG-6/U (5C-2V)	RG-11/U (7C-2V)	RG-15/U (10C-2V)
Recommended maximum cable length	(m)	250	500	600	800
	(ft)	825	1,650	1,980	2,640

MAJOR OPERATING CONTROLS



OPTIONAL ACCESSORIES

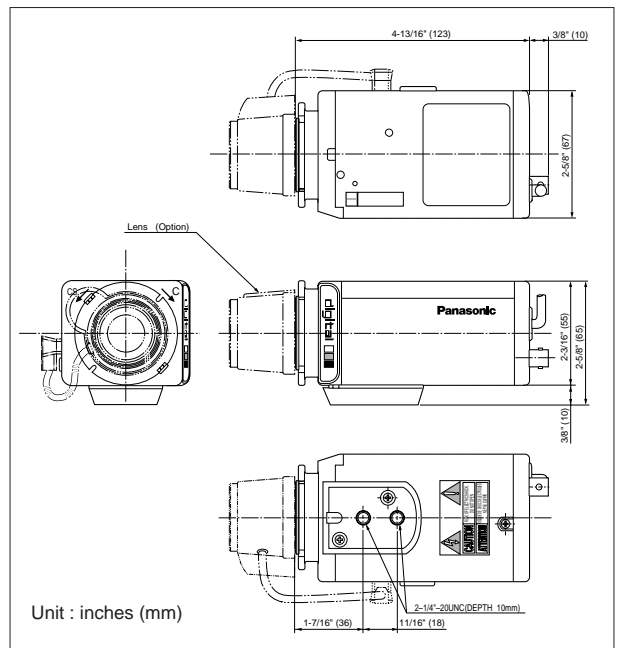
<p>B/W Quad Unit WJ-410</p> 	<p>ALC Lenses WV-LF4R5C3A WV-LF9C3A WV-LA210C3 WV-LA408C3 WV-LA908C3</p> 
<p>Sequential Switchers WJ-SQ208 WJ-SQ308</p> 	<p>Video Monitors WV-BM500 WV-BM503 WV-BM900 WV-BM1410 WV-BM1700 WV-BM1900</p> 
<p>Camera Housings WV-7110A WV-7120D WV-7135 WV-7140</p> 	<p>Time-Lapse VCRs AG-6124 AG-6040 AG-6730 AG-RT600</p> 

SPECIFICATIONS

Models	WV-BP330	WV-BP332	WV-BP334
Pick-up Device	768 (H) x 494 (V) pixels, Interline Transfer CCD		
Scanning Area	4.9 (H) x 3.7 (V) mm (Equivalent to scanning area of 1/3" pick-up tube)		
Synchronization	Internal, External, Line-locked or Multiplexed vertical drive (VD2) selectable		
Scanning System	2 : 1 interlace		
Scanning	525 lines / 60 fields / 30 frames Horizontal: 15.734 kHz Vertical: 60 Hz		
Horizontal Resolution	570 lines		
Video Output	1.0 V[p-p] EIA composite 75 Ω / BNC connector		
Signal-to-Noise Ratio	50 dB (AGC OFF)		
Electronic Light Control	Equivalent to continuous variable shutter speed between 1/60 s and 1/10,000 s		
Minimum Illumination	0.08 lx (0.008 fc) at F1.4, AGC ON		
Lens Mount	C-mount or CS-mount selectable		
Ambient Operating Temperature	-10°C - +50°C (14°F - 122°F)		
Ambient Operating Humidity	Less than 90%		
Power Source and Power Consumption	120V AC 60 Hz 3.5W	12V DC 250 mA	24V AC 60 Hz 3.5W
Dimensions (without lens)	67 (W) x 55 (H) x 123 (D) mm [2-5/8" (W) x 2-3/16" (H) x 4-13/16" (D)]		
Weights (without lens)	0.62 kg (1.4 lbs)	0.445 kg (0.98 lbs)	0.470 kg (1.04 lbs)

Specifications are subject to change without notice.
 Dimensions and weight are approximate.
 This product may be subject to export control regulations.

APPEARANCE



Panasonic

Video Imaging Systems Company

A Division of Panasonic Broadcast & Television Systems Company
 A Unit of Matsushita Electric Corporation of America

Executive Office: One Panasonic Way 4H-2, Secaucus, New Jersey 07094

Regional Offices:

Northeast: One Panasonic Way, Secaucus, NJ 07094 (201) 348-7303
 Southeast: 1225 Northbrook Parkway, Suite 1-160, Suwanee, GA 30024 (770) 338-6838
 Midwest: 1707 North Randall Road, Elgin, IL 60123 (847) 468-5211
 Southwest: 8105 Beltline Road, Suite 100, Irving, TX 75063 (927) 915-1334
 Western: 6550 Katella Ave., Cypress, CA 90630 (714) 373-7840

DISTRIBUTED BY:

PANASONIC CANADA INC.

5770 Ambler Drive, Mississauga, Ontario, L4W 2T3 Canada (905)624-5010

PANASONIC SALES COMPANY

DIVISION OF MATSUSHITA ELECTRIC OF PUERTO RICO, INC.

San Gabriel Industrial Park, 65th Infantry Ave. KM. 9.5 Carolina, P.R. 00630 (809)750-4300