

WV-AS65 Recording Management Software

FEATURES

- Up to 100 recorders can be registered, and up to 16 recorders can be viewed at a single time
- Users can create their own custom screens with up to 16 images from any camera on the network regardless of their connection to any recorder – using simple drop and drag
- Screen setups and camera can be easily named, saved and recalled using drop down menus
- Still images and video clips can be saved to local hard drives using scheduled or manual FTP sessions
- Saved images can be easily converted to JPEG
- Video clip files can be downloaded with or without a built-in player while preserving the proprietary recording format
- WV-AS65 software for configuration and management of multiple WJ-ND300 NVR's, as well as WJ-HD300A DVR's, to allow migration platform for analog and IP systems

SPECIFICATIONS

WJ-ND300 & WJ-HD300A Registration Capacity – up to 100 sets

User Registration Capacity – up to 32 users

User Types – 5 types

Schedule Registration Capacity – up to 400 schedules

Favorite Registration Capacity – up to 500

Simultaneous Downloads – up to 10

Simultaneous Camera Image Displays – up to 16 cameras

Simultaneous File Playbacks – up to 4 files

The WV-AS65 management software provides multi-location surveillance using any combination of WJ-ND300 (NVR) Network Video Recorders or WJ-HD300A Series (DVR) Digital Video Recorders up to a total of 100 units.

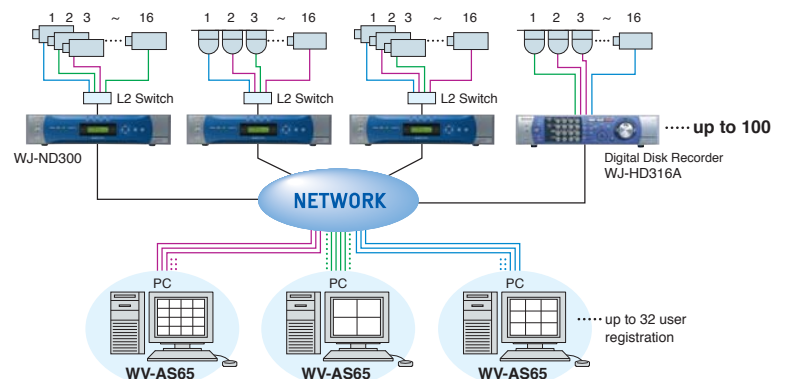
Using a standard LAN or Internet connection, the **WV-AS65** can select live images on any connected NVR/DVR, display them on your PC monitor and control cameras remotely. Recorded images from several NVR's/DVR's can be searched, played back, and downloaded on a PC hard disk and then filed.

The **WV-AS65** is quick, flexible, scalable monitoring system and responds to its owner's every need while guaranteeing security and safety.

Best of all there are no site license fees or per camera license fees – making the WV-AS65 a cost effective element in any security system.



System Diagram



WV-AS65 Recording Management Software

Network Mode

Remote control for multiple WJ-ND300 Network Video Recorders (NVR's) and WJ-HD300A Series Digital Video Recorders (DVR's).

Display up to 16 channels at once

For live monitoring and playback, select a 1, 4, 9 or 16 window display. Drag and drop cameras from the Recorder & Camera Tree to the screen position of your choice.

Favorite Register

Register up to 500 frames and camera positions for instant access.

All-at-Once Search

Allows use of Filtered Search for images stored on multiple NVR's/DVR's.

Local Mode

Download images stored on multiple WJ-ND300 Network Video Recorders (NVR's) and WJ-HD300A Series Digital Video Recorders (DVR's) to a client PC.

Two Download Types

Scheduled Download automatically downloads images at designated intervals. Manual Download is used for downloading live or playback images as needed.

Maintenance

Optimize PC hard disk space, erase all image files, or automatically delete files at specified intervals.



Panasonic ideas for life

DISTRIBUTED BY:

Panasonic System Solutions Company
Unit of Panasonic Corporation of North America
Security Systems

Executive Office: Three Panasonic Way, Secaucus, NJ 07094
(877) 733-3689

www.panasonic.com/security