

Panasonic

ideas for life



MPEG-4/JPEG Encoder Network Interface Unit WJ-NT304



MPEG-4 & JPEG Dual Streaming of up to Four Analog Cameras

The Panasonic **i-Pro** Series WJ-NT304 Encoder Unit enables transmission of MPEG-4 & JPEG images of up to four analog cameras.

The WJ-NT304 encoder can transmit VGA (640 x 480) images in either MPEG-4 or JPEG at up to 30 ips*. In addition, Dual Streaming makes it possible to combine seamless remote video monitoring using MPEG-4 with simultaneous transmission of high quality JPEG images to an optional Network Disk Recorder. Multicast allows simultaneous transmission of MPEG-4 to multiple clients while making efficient use of network bandwidth. 2-Way audio permits conversation between camera site and remote client (1ch only).

Camera control via Coaxial Cable simplifies hook-up and enables remote control of Pan/Tilt/Zoom on Panasonic WV Series analog cameras. Up to 16 cameras can be monitored in four grouped quad screen from a single browser by registering other WJ-NT304 units or Panasonic network cameras in the setup menu.

The SD memory card slot makes it possible to backup images upon network failure.

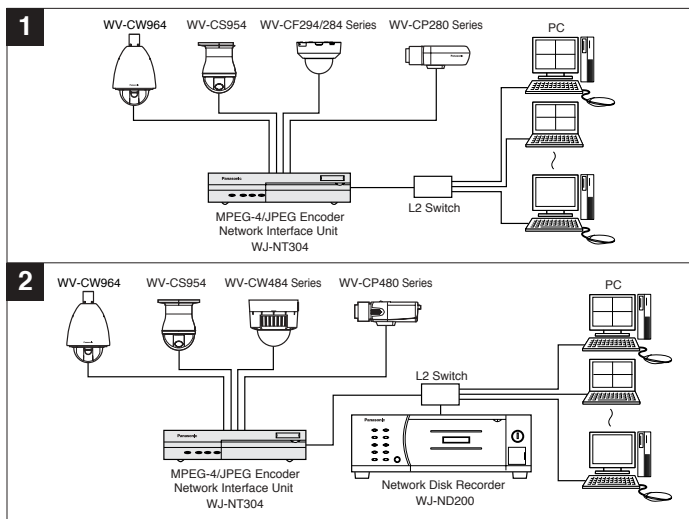
It's the simple and cost effective way to transform existing analog cameras into a high-quality network camera system. The WJ-NT304 is just what you need for a wide range of applications.

* With input from one camera.

KEY FEATURES

- Up to 4 analog cameras can be connected.
- Built-in MPEG-4 and JPEG digital signal output at VGA image size with up to 30 ips.
- MPEG-4/JPEG dual stream output for simultaneous live monitoring and high quality recording.
- Camera control using a single coaxial cable with cable length compensation for Panasonic's WV Series analog cameras. (Depending on the camera model.)
- Flexible alarm handling with Email notification, Alarm message, Camera positioning, FTP image transfer, Terminal output and Panasonic alarm protocol output.
- Supported Protocol: TCP/IP, UDP/IP, HTTP, RTP, FTP, SMTP, DHCP, DNS, DDNS, NTP and SNMP.
- Image refresh rate: 0.1 ips - 30 ips.
- Bandwidth control: 64 / 128 / 256 / 512 / 1,024 / 2,048 and 4,096 kbps and unlimited.
- Built-in network interface (10Base-T / 100Base-TX) for remote monitoring by PC.
- Built-in SD Memory card slot to backup images upon network failure.
- Multi screen display (Quad screens x 4 groups). Up to 16 cameras can be monitored from a single browser.
- Built-in Alarm function for external security devices.
- 2-Way audio feature (G.726) (1ch only).
- Multicast transmission (MPEG-4 only) for network efficiency.

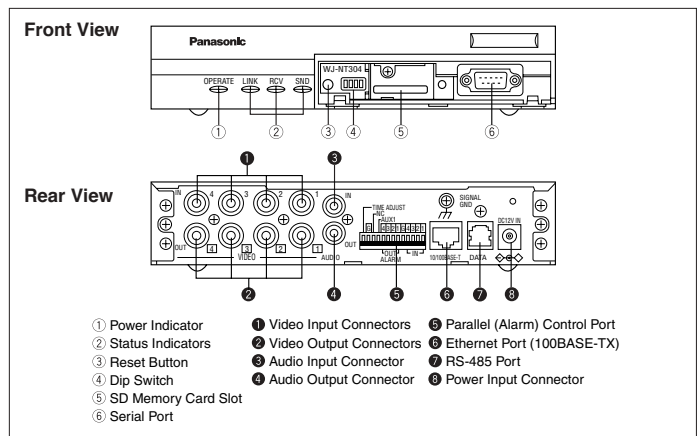
SYSTEM EXAMPLES



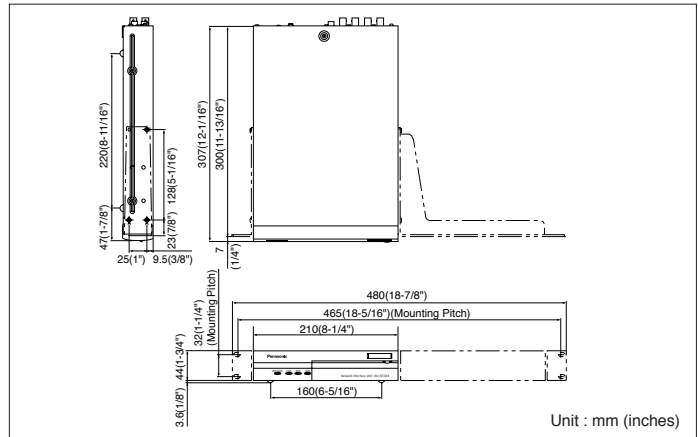
SPECIFICATIONS

Audio/ Video IF	Video Input	1.0 V [p-p] / 75 Ω x 4 / NTSC Composite / with Multiplexed control data and cable compensation
	Video Loop Through Output	1.0 V [p-p] / 75 Ω x 4 / NTSC Composite / Active loop through
	Audio Input	-10 dBV, 10 kΩ, Unbalanced, RCA (x 1)
	Audio Output	-10 dBV, 600 Ω, Unbalanced, RCA (x 1)
Audio/ Video Format	Video Compression Method	JPEG / M-JPEG / MPEG-4 (Unicast/Multicast)
	Image Resolution	JPEG: VGA (640 x 480) / QVGA (320 x 240) MPEG-4: VGA (640 x 480) / QVGA (320 x 240)
	Image Compression	MPEG-4: Image quality: 3 steps, Transmission type: UNICAST/MULTICAST JPEG: Image quality: 10 steps, Transmission type: PULL/PUSH
	Image Refresh Rate	0.1 ips ~ 30 ips (30 ips is performed with input from one camera. Frame rate of JPEG display will be limited when displaying JPEG and MPEG-4 simultaneously.)
	Audio Compression Method	G.726 (ADPCM), Bi-directional between PC and WJ-NT304.
	Functions	Camera Control
Alarm	Multiscreen Mode	Quad x 4 groups, Total 16 cameras can be monitored. (JPEG only)
	Backup on SD Memory	Upon network failure
	Supported SD Memory Card	64MB, 128MB, 256MB, 512MB, 1GB and 2GB Panasonic SD Memory Card is recommended.
	Setup Method	Setup page on browser (English)
	Error Log	Up to 100 (Internal memory), Up to 4,000 (SD memory)
Network	Network Interface	10BASE-T / 100BASE-TX, RJ-45 Connector
	Bandwidth Control	64 / 128 / 256 / 512 / 1,024 / 2,048 / 4,096 kbps and unlimited
	FTP	Periodic image transfer, Alarm image transfer
External IF	Supported Protocol	TCP/IP, UDP/IP, HTTP, RTP, FTP, SMTP, DHCP, DNS, DDNS, NTP, SNMP
	Supported OS	Microsoft Windows 2000 Professional SP4 (with Microsoft Internet Explorer 6.0 SP1) Microsoft Windows XP Home Edition SP2 Microsoft Windows XP Professional SP2
	Supported Browser	Microsoft Internet Explorer 6.0 SP1/SP2
	Security Method	User/Host authentication, User level: 3 levels
General	Alarm	Input x 4 (Make contact), Output x 4 (Open collector, Latch/Pulse, N.O./N.C.)
	Control	AUX output x 1, Time adjustment input x 1
General	RS-485 Port	RS-485 (RJ-11) x 1, 4 wire, Full/Half duplex, Supports UDP-Serial conversion.
	Power Supply	12 V DC 1.0 A (AC adaptor for AC 120 V 60 Hz attached)
	Power Consumption	approx. 12 W
	Ambient Operating Temperature	-10 °C ~ +50 °C (14 °F ~ 122 °F)
	Ambient Operating Humidity	Less than 90 % (non condensing)
	Dimensions (W x H x D)	210 mm x 44 mm x 300 mm (8-1/4" x 1-3/4" x 11-13/16")
	Weight	approx. 2.3 kg (5.06 lbs.)

MAJOR OPERATING CONTROLS & TERMINALS



APPEARANCE



OPTIONAL COMPONENTS & ACCESSORIES

Network Disk Recorders

WJ-ND300A

WJ-ND200

Weather Proof Super Dynamic III Color Dome Camera

WV-CW964
(for outdoor)

Vandal Proof Super Dynamic III Color Dome Cameras

WV-CW484 Series

Color Dome Cameras

WV-CF294/284 Series

Super Dynamic III Color Dome Camera

WV-CS954
(for indoor)

Super Dynamic III Color Surveillance Cameras

WV-CP480 Series

Color Surveillance Cameras

WV-CP280 Series

Lens: optional Lens: optional

Trademarks and registered trademarks – Microsoft, and Windows are registered trademarks of Microsoft Corporation in the U.S. and other countries. – SD logo is a trademark.

Important – Safety Precaution: carefully read the operating instructions and installation manual before using this product.

– Panasonic can not be responsible for network performance and/or other manufacturer products that reside on the network.

• All TV pictures/menu are simulated. • Weights and dimensions are approximate. • Specifications are subject to change without notice. • These products may be subject to export control regulations.

Panasonic

Panasonic System Solutions Company
Unit Company of Panasonic Corporation of North America
Security Systems

Website : www.panasonic.com/security

For Customer Support : call 1.877.733.3689

Executive Office : Three Panasonic Way 2H-2, Secaucus, New Jersey 07094

DISTRIBUTED BY:

PANASONIC CANADA INC.

5770 Ambler Drive, Mississauga, Ontario, L4W 2T3 Canada (905) 624-5010

PANASONIC PUERTO RICO INC.

DIVISION OF PANASONIC CORPORATION OF NORTH AMERICA

San Gabriel Industrial Park, 65th Infantry Ave. KM. 9.5 Carolina, P.R. 00985 (809) 750-4300

Printed in Japan

WJ-JHNT304T(2P-553A)