

WJ-MS424 Color Quad System

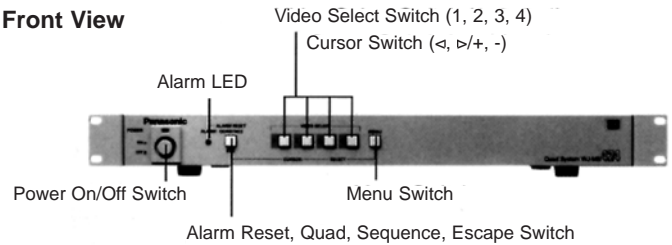
PRODUCT FEATURES

- 8-bit/14.3MHz sampling produces excellent color picture quality
- 720 horizontal pixel memory
- 1/60 second refresh time
- 8-bit high S/N with a 256-step gray scale
- Accepts 4 camera inputs and outputs, a quad mixed picture to a monitor and connection to a time-lapse VCR
- At monitor output full screen mode can be activated to view 1 selected camera location
- Built-in field memory allows connection of virtually any 2:1 interlace camera without genlock capability
- On-screen alphanumeric identification of camera locations can be preset with up to 8 alphanumeric characters available for each of the 4 inputs
- Rear mounted alarm inputs for each camera location allow combination with alarm sensors
- 2 separate types of video output connectors: video out and VCR out

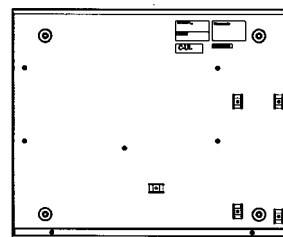
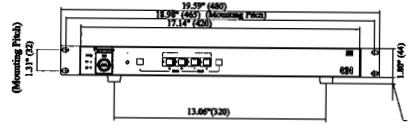
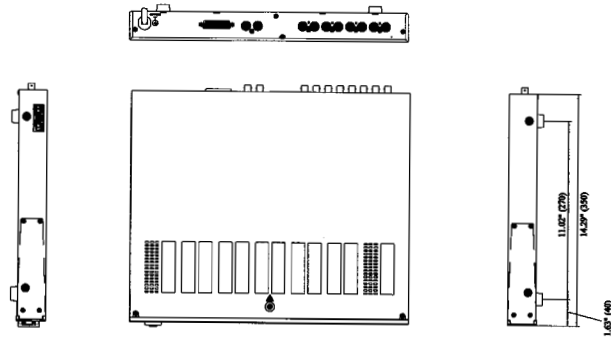
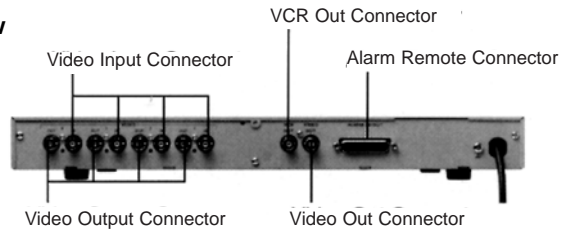
The WJ-MS424 color quad system is the ideal multiple surveillance camera system for CCTV applications and is virtually compatible with any 2:1 interlace type camera. The WJ-MS424 displays up to 4 surveillance pictures, with border, on a single monitor. Excellent color picture quality is produced by 8-bit/14.3MHz sampling. On-screen alphanumeric identification (8-picture ID characters) details camera location.



Front View



Rear View



Unit: inches (mm)

WJ-MS424 Color Quad System

GENERAL SPECIFICATIONS

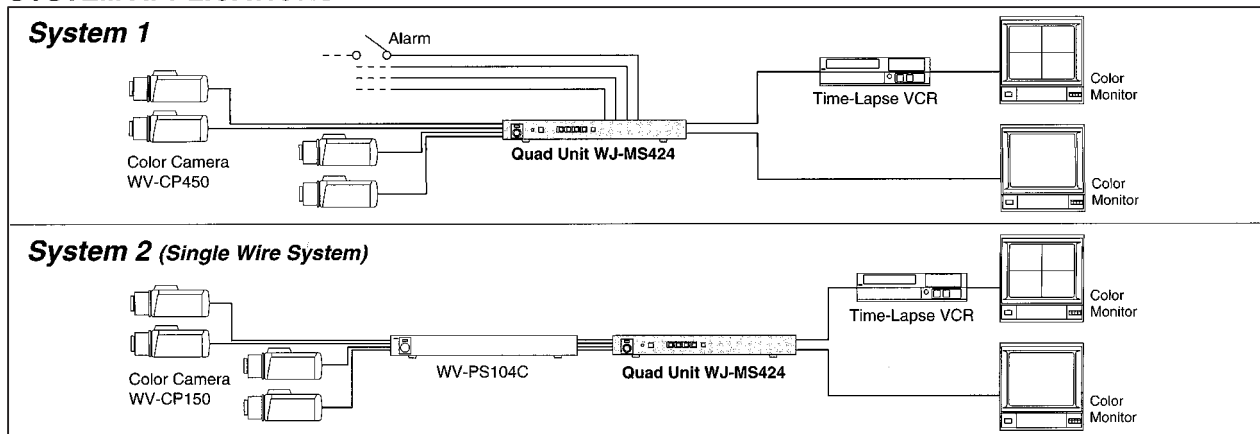
Power Source 120VAC, 60Hz
Power Consumption 13W
Ambient Operating Temperature +14°F to +122°F (-10°C to +50°C)
Weight 7.9 lbs. (3.6kg)
Dimensions 1¾"H x 16½"W x 13¾"D (44 x 420 x 350mm)
Frame Memory Sampling frequency: 14.3MHz
 Quantizing bit: 8-bit
 Pixels: 720 x 484
Internal Sync. 2:1 interlace; horizontal: 15.734kHz; vertical 60Hz
Refresh Rate ⅓ sec.
Video Input 2:1 interlace, composite 1V p-p 75 ohms, auto termination or loophrough, black-and-white or color video signal x 4, (each video signal should be synchronized vertically for vertical interval switching. Does not have to be synchronized in case vertical interval switching is not required)
Video Output Video output x 2, composite, 1V p-p 75 ohms color or black-and-white video signal with composite sync and burst signal

Title Up to 8 characters for each window 1 for each 4 video inputs (max. 12VDC and a make-contact with the ground)
Alarm Input 1 (max. 24VDC, 100mA, open collector circuit)
Alarm Output Adjustable approx. 1–30 sec., 1, 2, 3, 4, 5 minutes or EXT
Recover Input 1 (max. 12VDC and a make-contact for ground)
Auto Reset Time Adjustable approx. 1–30 sec., 1, 2, 3, 4, 5 minutes or OFF

STANDARD ACCESSORIES

1 set. Rack-mount brackets
 8 pcs. Rack-mount bracket fixing screws
 Weights and dimensions shown are approximate. Specifications subject to change without notice.

SYSTEM APPLICATIONS



ARCHITECTS' AND ENGINEERS' BID SPECIFICATIONS

The color quad system shall be a Panasonic model WJ-MS424 quad unit or equivalent. Up to 4 surveillance cameras shall be able to be connected to the quad system, and all 4 pictures shall be able to be displayed simultaneously on a single monitor screen divided into 4 blocks. Each of 4 images in the quad display mode shall be refreshed and appear in real time (60 fields/sec.) with no motion loss due to multiplexed display images. The quad system shall be able to use virtually any 2:1 interlace type camera. The system shall feature 8-bit/14.3MHz sampling, a built-in character generator display of up to 8 characters on each of the 4 blocks, a built-in sequential switch, on screen programming, border boundary in the quad mode and alarm function. The WJ-MS424 shall feature video loss detection for each channel, with alarm output capability. The color quad unit shall feature 4 alarm inputs (normally open dry contact, close on alarm), 1 for each video channel. Unit shall be rack-mountable and include rack-mount hardware for a single standard EIA rack height unit. The dimensions of the WJ-MS424 shall not exceed 1¾"H x 16½"W x 13¾"D. The power source shall be 120VAC, 60Hz. The unit shall be UL listed.