

POS X

POINT OF SALE
PERFECTED

EVO

TP4A TouchPC

The EVO TP4A TouchPC by POS-X sets a whole new standard by offering enterprise class build quality, the latest in fanless processing, and touch screen technology. The TP4A's sturdy aluminum alloy frame acts as a large heatsink making the TP4A an extremely well performing fanless computer. Achieving an IP54 certified rating, the TP4A is both dust and splash resistant.



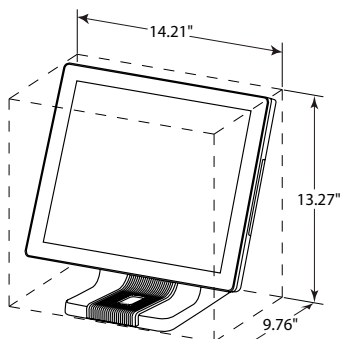
Key Features

- 15" 5-Wire Resistive Touchscreen
- Built in cable management keeps cords out of sight
- EZHD Slot makes for quick HDD or SSD replacement
- IP54 Rating - Resistant to dust buildup and splashing water
- Die-cut aluminum alloy frame provides bump-free operation
- 3 Year Advanced Replacement Protection comes standard

EVO TOUCHPC

EVO TouchPC Specifications

PART NUMBER	EVO-TP4A-A	EVO-TP4A-B
MOTHERBOARD	B68	C48
CPU	Intel® Atom N270 1.6Ghz	Intel® Atom D525 1.8Ghz Dual Core Processor
Chip Set	Intel 945GSE Express + ICH7M FSB	CPU with Graphic built-in + ICH 8M
System Memory	1~2 GB DDRII	1~4 GB DDR III
Video	Integrated Intel® GMA® 3150 224 MB	Integrated Intel® GMA® 3150 256 MB
PORTS		
Parallel	1 x Parallel Port	
USB	4 x USB2	
Serial	4 xRJ 45 COM (Com1, Com2, Com3 RS232 Com4 with 5V/12V)	
LAN	1 - 10/100/1000 baseT LAN	
VGA	1 x Additional VGA Port	
Cash Drawer Port	1 x RJ11 (12V/24V cash drawer)	
Speakers	2 x 2W	
HARD DRIVE	2.5" Easy Access Slot: 160+GB HDD, 30~80GB SSD	2.5" Easy Access Slot: 160GB+ HDD, 30GB~80GB+ SSD
PHYSICAL		
Housing	Die Cut Aluminum	
Weight with Base	15.4 lbs	
Dimensions with Base	14.21" (w) x 9.76" (D) x 13.27" (H)	
VESA Wall Mountable	100mm x 100mm	
Tilt Angle	0° to 90°	
Housing Color	Black	
Bezel	Standard Bezel	
LCD Display	15" 1024 x 768 pixel, 16.7M colors 250 nit	
Touch Screen	5-Wire Resistive, 35+ millions taps per location	
ELECTRICAL	Ext. 90W 19V 4.74 A	
ENVIRONMENTAL		
Ingress Protection Rating	IP54 - Resistant to dust buildup and splashing water	
Temperature	41°F to 95°F operating	
Humidity	20% - 80% non-condensing	
WARRANTY	3 Year Limited	
CERTIFICATIONS	FCC, Class A, CE, LVD, RoHs	
OPERATING SYSTEM	None/ XP Pro / POSReady / Windows 7	



ACCESSORIES	
EVO-MR4-U	3 Track MSR with USB interface
EVO-RD4-VFD	Integrated Customer Display
EVO-RD4-LCD8	Integrated Rear Display, 8.4" LCD, VGA
EVO-BR4	Integrated Bio Reader
EVO-XZ4-M100	Universal VESA Mount for All TouchPC & Touch Monitors