

VISIONSCAPE® SMART CAMERA

Integrated Machine Vision System



The Visionscape Smart Camera (formerly HawkEye® 1600T) combines a compact form factor with the broad applicability, versatility and proven performance of Visionscape software. Designed for use in a wide range of applications, the Visionscape smart camera provides a cost-effective, easily deployed solution for manufacturers to monitor quality, control processes, or identify and trace parts on production lines.

Visionscape Camera: At a Glance

- Processes Up To 3600 Parts Per Minute
- Integrated With Visionscape Software
- Flexible C-Mount Optics
- Direct Connect Lighting Options

HE 1610TIS: VGA resolution, with Intellifind

HE 1610TS: VGA resolution, no Intellifind

HE 1610TIH: XGA resolution, with Intellifind

HE 1610TH: XGA resolution, no Intellifind

For more information on this product, visit www.microscan.com.

Flexible Configuration

The Visionscape smart camera features C-mount optics and separate lighting, with built-in digital I/O, serial communications, and Ethernet networking. All processing is done on-board using a high performance, embedded CPU.

Rugged Design

With a cast alloy IP67 enclosure and M12 connectors, the Visionscape smart camera is an ideal choice for the toughest industrial applications.

Application Examples

- Assembly verification (automotive, medical devices, packaging)
- Print quality inspection (pharmaceutical, other)
- Package quality inspection (food and beverage)
- Component presence/absence checking (electronics)
- Part location (robotics, machine builder)
- Part identification (automotive, electronics, packaging)

Visionscape Camera: Capabilities

- Linear Barcodes  • Image processing
 • Image analysis & feature extraction
- 2D Symbols  • Flaw detection
 • Object location
- OCR/OCV  • Dimensional measurements
 • Custom processing options



Shape Inspection

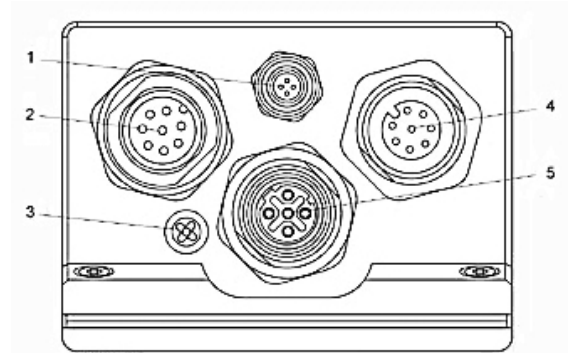
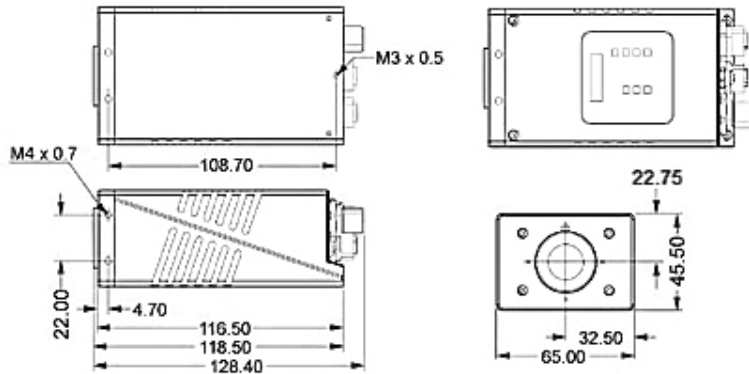


Pattern Comparison



Object Finding

VISIONSCAPE® SMART CAMERA SPECIFICATIONS AND OPTIONS



MECHANICAL

Height: 2" (50.8 mm)
Width: 2.25" (57.15 mm)
Depth: 3.89" (98.73 mm)
Weight: 1.70 lbs (0.77 Kg)

LIGHT COLLECTION

Progressive scan, full frame and partial frame
Sensor: 1/3 inch CCD
HE1600TTXS: VGA (640 by 480 pixels)
HE1600TTXH: XGA (1024 by 768 pixels)

COMMUNICATION PROTOCOLS

Interfaces: Ethernet 10/100 MB, supports TCP/IP, DHCP, APIPA and static IP address
Software Flow Control: RS-232

IMAGING RATES

HE1600TTXS: 60 full frame images/second
HE1600TTXH: 30 full frame images/second

ELECTRICAL

Power: 24V at 300 mA (7 W)
Supply Voltage: 20.4 to 28.8 V

INPUTS/OUTPUTS

Trigger input:
Outputs 1-3: 50 mA
Universal I/O 1-4: (Optoisolated) 20 mA at 24 VDC

ENVIRONMENTAL

Operating Temperature: 0° to 50°C (32° to 122°F)
Storage Temperature: -10° to 70°C (-14° to 158°F)
Storage: Up to 95% (non-condensing)

SYMBOLGY TYPES

2D Symbologies: Data Matrix, PDF417, QR Code
Linear Barcodes: Code 39, Code 93, Code 128, UPC/EAN, UPC-E, UPC Supplementals, I2 of 5, BC412, Codabar, Postnet, Pharmacode, GS1 Databar and Composite

INDICATORS

LEDs: Trigger, Fail, Pass, Mode, Power, Link, Activity

INPUTS/OUTPUTS

LEDs: Trigger, Fail, Pass, Mode, Power, Link, Activity

SAFETY CERTIFICATIONS

FCC, CE

ROHS/WEEE COMPLIANT

ISO CERTIFICATION

Issued by Det Norske Veritas
 Cert No. 8446-2007-AQ-USA-ANAB

CONNECTORS

No.	Function
1	Lighting Power and Strobe
2	X1 Power and Primary IO
3	QuicSet
4	Secondary IO and Serial
5	X4 Ethernet

©2009 Microscan Systems, Inc. SP033B 02/09
 Performance data is determined using high quality Grade A symbols per ISO/IEC 15415 and ISO/IEC 15416 in a 25°C environment. For application-specific results, testing should be performed with symbols used in the actual application. Microscan Applications Engineering is available to assist with evaluations. Results may vary depending on symbol quality. **Warranty**—One year limited warranty on parts and labor. Extended warranty available.

MICROSCAN®

Microscan Systems, Inc.
 Tel 603 598 8400 / 800 468 9503
 Fax 603 577 5947

Microscan Europe
 Tel 31 172 423360 / Fax 31 172 423366

Microscan Asia Pacific
 Tel 65 6846 1214 / Fax 65 6846 4641

www.microscan.com

Product Information: info@microscan.com
Auto ID Support: helpdesk@microscan.com
Vision Support: visionsupport@microscan.com
NERLITE Support: nerlitesupport@microscan.com