

MS-5000

This high speed data collector and manager for automatic ID networks can poll up to 50 devices including scanners, decoders, and bar-code label printers over an RS-485 multidrop network. Like all of Microscan's products, the MS-5000 multidrop concentrator offers simple, menu-driven configuration firmware making it simple to integrate with a host computer, PLC, or other I/O device. A superb controller of network data, the MS-5000 can handle data flow transmission rates up to 38.4K baud. If needed, several MS-5000 concentrators can be cascaded to poll more than 50 devices. The MS-5000 is the ideal data flow manager for any multidrop application using scanners, decoders, printers, or other devices.

CONCENTRATOR

High speed communication: The MS-5000 concentrator can transfer data over the multidrop network, including communication with the host computer, at rates of up to 38.4K baud.

Direct, continual polling of the device network: The MS-5000's RS-485 multidrop protocol allows for uninterrupted communication between the concentrator and the device network.

Simple integration with the host computer: Easy-to-set, built-in software makes the MS-5000 concentrator simple to configure with menus that are accessible through the host system, a PC, or

Direct terminal hookup through auxiliary port: The auxiliary port allows you to conveniently access the configuration menus to change parameters or review the current status of devices on the network.

Battery-backed RAM: A total of 18K of battery-backed RAM manages data for first-in, first-out transmission to the host and safeguards the MS-5000 concentrator against momentary power fluctuations.

Multicolored status LEDs: Three LEDs indicate the concentrator's status. Indicator 1 flashes green when data is sent to the host. Indicator 2 illuminates red when the concentrator is in a ready state or is polling the networked devices. The power LED illuminates red while power is on.

Service options:

- Installation assistance program
- Service agreements
- Training
- On-site service



an ASCII terminal. RS-232, RS-422, and RS-485 communication parameters can be quickly established between the concentrator and host. Furthermore, the MS-5000 offers a wide selection of communication interfaces and protocols with standard and user-defined options available.

MS-5000 CONCENTRATOR

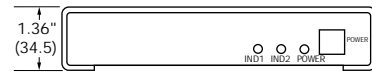
Specifications

MECHANICAL

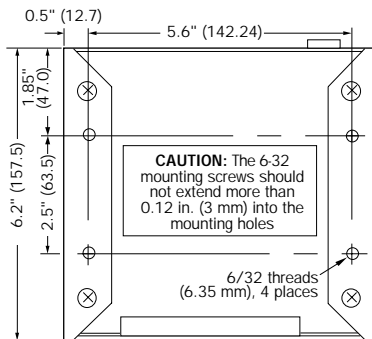
Length: 6.20 in. (15.75 cm)
Width: 6.61 in. (16.79 cm)
Height: 1.36 in. (3.45 cm)
Weight: 16 oz. (453 grams)

Front

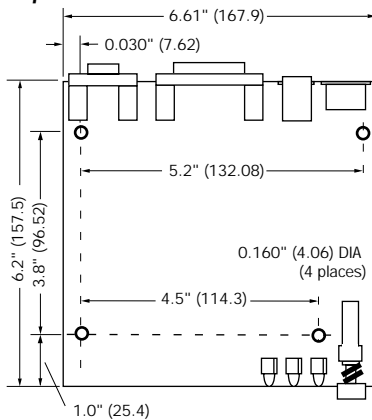
Inches (mm)



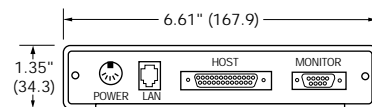
Bottom



Top



Back

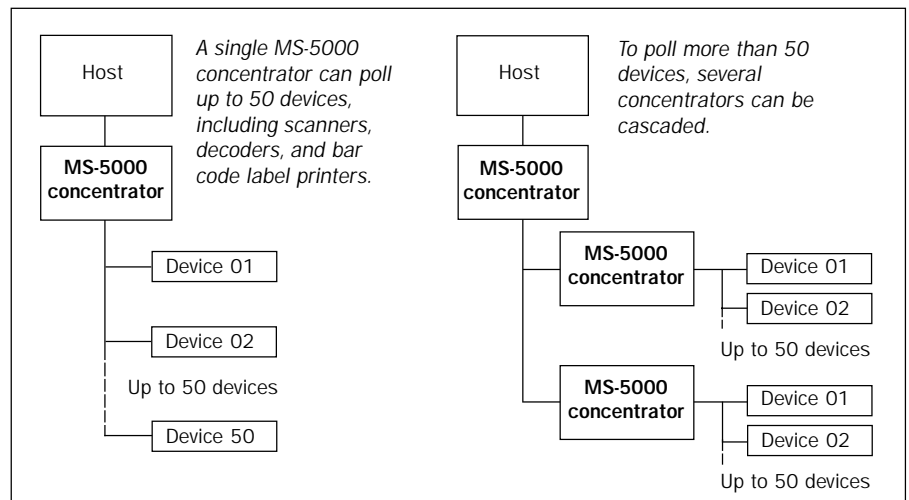


COMMUNICATION

Host

Port: 25-pin D sub socket wired as DTE
 Interfaces: RS-232, RS-422, and RS-485 multidrop
 ASCII format: 7 or 8 data bits
 Stop bits: 1 or 2
 Baud rates: 600, 1200, 2400, 4800, 9600, 19.2K, or 38.4K
 Selectable parity: odd, even, or none
 Protocols: point-to-point, polling mode D, multidrop, user defined, and user defined multidrop

TYPICAL NETWORKS



LAN (to polled devices)

Port: RJ-11 6-pin modular socket
 Interface: 4-wire RS-485, RS-422
 ASCII format: 7 or 8 data bits
 Stop bits: 1 or 2
 Baud rate: 600, 1200, 2400, 4800, 9600, 19.2K, or 38.4K
 Protocols: multidrop, user defined multidrop (up to 50 devices per concentrator)

Auxiliary (to terminal or monitor)

Port: 9-pin D sub plug
 Interface: RS-232
 ASCII format: 7 or 8 data bits
 Stop bits: 1 or 2
 Baud rate: 2,400, 4800, 9600, 19.2K, or 38.4K
 Protocol: point-to-point

Memory buffer

18K of battery-backed RAM for first-in-first-out data management

ELECTRICAL

Power requirements:

+ 12 VDC @ 40 mA maximum, 20 mV p-p max. allowed ripple
 -12 VDC @ 40 mA maximum, 20 mV p-p max. allowed ripple
 +5 VDC @ 300 mA maximum, 200 mV p-p max. allowed ripple

ENVIRONMENTAL

Operating temperature

32° to 113°F (0° to 45°C)

Storage temperature

-58° to 158°F (-50° to 70°C)

Humidity: up to 95% (non-condensing)

ISO 9001/Cert. No. US96/0465

©1999 Microscan Systems, Inc. 7/99
 All rights reserved.
 Specifications subject to change.

Warranty—One year limited warranty on parts and labor. Extended warranty available.

STATUS LIGHTS

LED	Color	Condition
Power LED	Red	Illuminates on power-on
IND1	Green	Flashes each time data is sent to the host
IND2	Red	Illuminates whenever the concentrator is in a ready state or is polling the connected devices. When this light goes off, a data-buffer-full condition exists and the concentrator is no longer polling the devices.

MICROSCAN®

REALIZING YOUR VISION™

Microscan Systems, Inc.

Tel 425 226 5700 / 800 251 7711

Fax 425 226 8250

Microscan Europe

Tel 31 172 423360 / Fax 31 172 423366

Microscan Korea

Tel 82 342 708 6960 / Fax 82 342 708 6963

Part of a full range of sales tools available from our web site:

www.microscan.com

E-mail: info@microscan.com