

TD3000 TABLE-TOP DISPLAY SPECIFICATIONS

OPTICAL (FLUORESCENT DISPLAY)

Number of rows	2
Digits per row	20
Digit Configuration	5x7 Dot Matrix
Digit Height	0.20 in (5.0 mm)
Digit Width	0.14 in (3.5 mm)
Digit Pitch	0.20 in (5.0 mm)
Character Config.	ASCII
Brightness	200 fl (690 cd/m ²) max.
Display Color	Blue/Green
MTBF	300,000 hours

ELECTRICAL

Power Adapter	
Input Power	120VAC, 60 HZ
Optional	220VAC, 50 HZ
Output Power	6.0VAC, 1000ma.

CABLING

Interface Cable	
Computer side	DB9 female standard DB25 female optional
Display side	RJ11 male 6 conductor

ENVIRONMENTAL

Operating Temperature	0 to +50 °C
Storage Temperature	-20 to +70 °C
Relative Humidity	
Operating	85% max. non-condensing
Non-operating	90% max. non-condensing
Vibration (10 to 55 Hz.)	4G's
Shock	40G's

INTERFACE

Serial	RS232C
Protocol	
Baud Rate	600, 1200, 2400, 4800, 9600*, 19,200
Data Bits	8
Parity	NONE
Stop Bits	1

* Preset at Factory

MECHANICAL

Weight	0.80 lbs.
with adapter	1.40 lbs.
Dimensions (in inches)	
Width	7.87
Depth	3.38
Height	3.17

CONNECTOR PINOUT

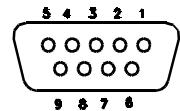
RJ11 M

1	No connection
2	6.0VAC
3	6.0VAC
4	Data
5	Ground
6	No connection

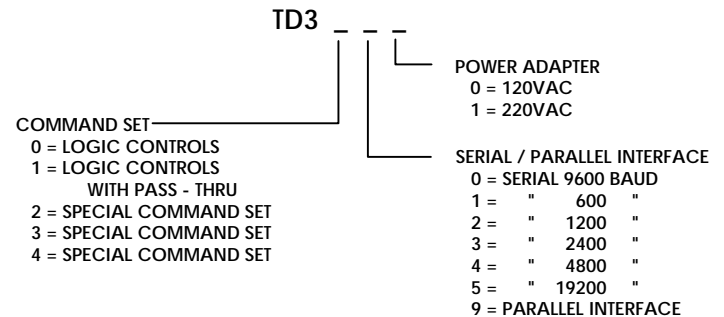


DB9 F

1	Tied to pins 4 and 6
2	No connection
3	Data
4	Tied to pins 1 and 6
5	Ground
6	Tied to pins 1 and 4
7	Tied to pin 8
8	Tied to pin 7
9	No connection



ORDERING INFORMATION



GENERAL INFORMATION

- 1) Power adapter and 6 foot cable (with RJ11M and DB9F connectors) supplied.
- 2) Call for list of available emulations.
- 3) All control lines are terminated in the DB9 connector. For details see "Connector Pinout" section above.