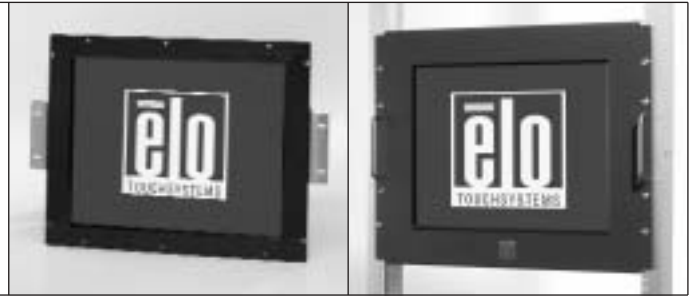


**1747L**

**Rear Mount**

**3000 Series  
17" LCD Touchmonitor**



**SPECIFICATIONS**

<b>Model</b>	1747L	
<b>Case/Bezel color</b>	Black plastic	
<b>Display type</b>	Active matrix TFT LCD	
<b>Display size</b>	17.0" diagonal	
<b>Useful screen area</b>	Horizontal	13.3" (338 mm)
	Vertical	10.6" (270 mm)
<b>Monitor dimensions</b>	Width	16.4" (417 mm); with bracket: 18.7" (474 mm)
	Height	13.4" (341 mm)
	Depth	2.56" (65 mm)
<b>Dimensional drawing number</b>	MS500237 (available at <a href="http://www.elotouch.com">www.elotouch.com</a> ), MS500293 (with rack mount)	
<b>Optimal (native) resolution</b>	1280 x 1024 at 75 Hz	
<b>Other supported resolutions</b>	1024 x 768 at 60, 70, or 75 Hz; 832 x 624 at 75 Hz (Mac); 800 x 600 at 56, 60, 72, or 75 Hz; 720 x 400 at 70 Hz; 640 x 480 at 60, 72, or 75 Hz; 640 x 480 at 66 Hz (Mac)	
<b>Colors</b>	16.7 million with dithering, 6 bits per color data	
<b>Brightness</b>	LCD panel	250 cd/m <sup>2</sup>
	LCD panel with touchscreen	AccuTouch: 205 cd/m <sup>2</sup> ; IntelliTouch: 230 cd/m <sup>2</sup> ; SecureTouch: 225 cd/m <sup>2</sup>
<b>Response time</b>	16 msec	
<b>Viewing angle (from center)</b>	Horizontal (left/right)	±80° or 160° total at CR=5
	Vertical (up/down)	±80° or 160° total at CR=5
<b>Contrast ratio</b>	450:1	
<b>Input video format</b>	Analog (no proprietary video card needed) or Digital Video Input (DVI-D)	
<b>Input video signal connector</b>	Mini D-Sub 15-Pin; DVI-D	
<b>Input frequency</b>	Horizontal 31.5–80 kHz; vertical 56–75 Hz	
<b>Power supply</b>	External power supply, 100–240 VAC, 50–60 Hz, monitor input: 19 V, current 3.42 A max.	
<b>Power dissipation</b>	50 W max.	
<b>Temperature</b>	Operating 0°C to 40°C; storage –20°C to 60°C	
<b>Humidity</b>	Operating 20% to 85%; storage 5% to 95%; noncondensing	
<b>Weight (approx.)</b>	Actual 20 lb (9.10 kg); shipping 29 lb (13.2 kg)	
<b>Warranty</b>	Monitor	3 years
	Touch technology	5 years AccuTouch touchscreen; 10 years IntelliTouch/SecureTouch touchscreen; 5 years CarrollTouch
	Backlight lamp life	Typical 40,000 hours to half brightness
<b>Other features</b>	Digital on-screen display (OSD); 100 mm or 75 mm VESA mounting; 19" rack mount option; part number D34976-000; remote on-screen display (OSD) with 1.8 m cable; exclusive "wiper blade" for sealing; mounting brackets included: rear mount through bezel or with brackets; user's controls: • remote OSD: auto/sel, up, down, menu • OSD: contrast, brightness, H/V position, color, temperature, clock, phase, recall, OSD time, language (English, German, Spanish, Japanese, French) • OSD disable/enable: power, volume, and/or OSD menu	

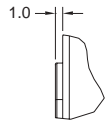
**ORDERING INFORMATION**

Touch Technology	Touch Interface	Surface Treatment	Elo Part Number	Agency Approvals
SecureTouch	Serial	Antiglare	185914-000	UL, cUL, TÜV-GS, CE, FCC, IC, VCCI, C-Tick
SecureTouch	USB	Antiglare	207124-000	UL, cUL, TÜV-GS, CE, FCC, IC, VCCI, C-Tick
AccuTouch	Serial	Antiglare	990882-000	UL, cUL, TÜV-GS, CE, FCC, IC, VCCI, C-Tick
AccuTouch	USB	Antiglare	238212-000	UL, cUL, TÜV-GS, CE, FCC, IC, VCCI, C-Tick
IntelliTouch	Serial	Antiglare	945446-000	UL, cUL, TÜV-GS, CE, FCC, IC, VCCI, C-Tick
IntelliTouch	USB	Antiglare	736650-000	UL, cUL, TÜV-GS, CE, FCC, IC, VCCI, C-Tick
CarrollTouch	Serial	Antiglare	E85776-000	UL, cUL, FCC, CE, TÜV-GS, VCCI, C-Tick, MPR II
CarrollTouch	USB	Antiglare	D45620-000	UL, cUL, FCC, CE, TÜV-GS, VCCI, C-Tick, MPR II

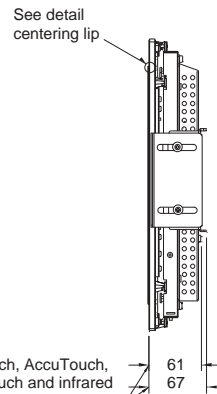
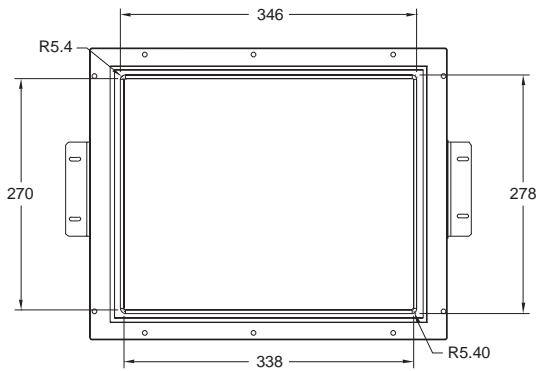
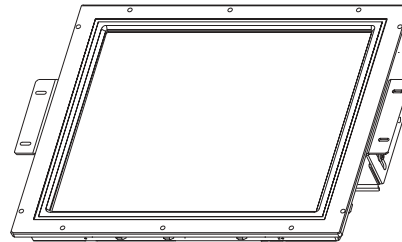
- Users should independently evaluate the suitability of the product for their application.
- All prices, models, and availability subject to change without notice.

- Stock quantities may be limited. Larger quantities are available within one week.
- For Product Agency Certifications refer to our Web site.

3000 Series  
17" LCD Touchmonitor



Detail Centering Lip  
Scale 4:1



Noted dimensions are for non-touch, AccuTouch, and IntelliTouch only. For SecureTouch and infrared add 3.5 mm to each measurement.

