

1247L

Rear Mount



**3000 Series
12" LCD Touchmonitor**

SPECIFICATIONS

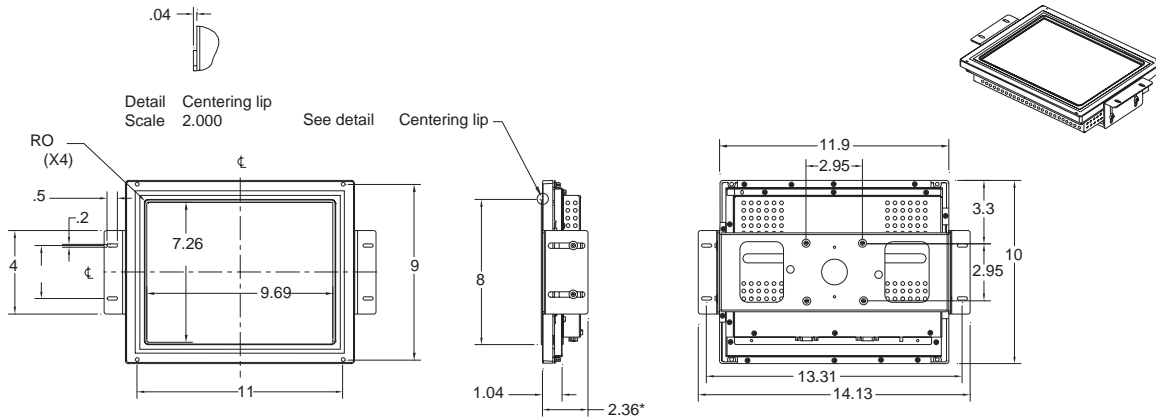
Model	1247L		
Case/Bezel color	Galvanized sheet metal; black plastic bezel		
Display type	Active matrix TFT LCD		
Display size	12.1" diagonal		
Useful screen area	Horizontal	9.69" (246 mm)	
	Vertical	7.27" (184.5 mm)	
Monitor dimensions	Width	11.92" (302.5 mm); with bracket: 14.14" (359 mm)	
	Height	9.53" (242 mm)	
	Depth	2.36" (60 mm)	
Dimensional drawing number	MS500368 (available at www.elotouch.com)		
Optimal (native) resolution	800 x 600		
Other supported resolutions	800 x 600 at 56, 60, 72, and 75 Hz; 720 x 400; 720 x 350; 640 x 480 at 60, 72, and 75 Hz; 640 x 480 at 66 Hz (Mac)		
Colors	262,000		
Brightness	LCD panel	300 cd/m ²	
	LCD panel with touchscreen	IntelliTouch: 275 cd/m ² (typical)	
Viewing angle (from center)	Horizontal (left/right)	60° looking left typical at CR=10; 60° looking right typical at CR=10	
	Vertical (up/down)	40° looking down typical at CR=10; -50° looking up typical at CR=10	
Contrast ratio	300:1 (typical)		
Input video format	RGB analog		
Input video signal connector	Mini D-Sub 15-Pin VGA type		
Input frequency	Horizontal 31.5–50 KHz; vertical 56.3–85 Hz		
Power supply	Type: external brick; input (line) voltage 100–240 VAC, 50–60 Hz; output voltage/current 12 volts at 3.33 amperes maximum		
Temperature	Operating 0°C to 40°C; storage -20°C to 60°C		
Humidity	Operating 20% to 85%; storage 5% to 95%; noncondensing		
Weight (approx.)	Actual 8.8 lb (4 kg); shipping 13.6 lb (6.2 kg)		
Warranty	Monitor	3 years	
	Touch technology	10 years IntelliTouch	
	Backlight lamp life	Minimum 50,000 hours at full brightness	
Other features	On-screen display (OSD): remote OSD with 1.8 m cable; user's controls: remote OSD: up, down, +, -; OSD: contrast, brightness, autotune, quality (frequency, phase, track, text/graphics, return), position (horizontal, vertical, center and return), languages (English, Japanese), recall, save exit and cancel exit; mounting options: 75 mm VESA mount; mounting brackets included; rear mount through bezel or with included brackets; ENERGY STAR; 2 stage DPMS; VESA DDC Plug and Play		

ORDERING INFORMATION

Touch Technology	Touch Interface	Surface Treatment	Elo Part Number	Agency Approvals
IntelliTouch	Serial	Antiglare	D92310-000	UL/cUL (*recognized component), FCC, TÜV-GS, CE, VCCI, C-Tick

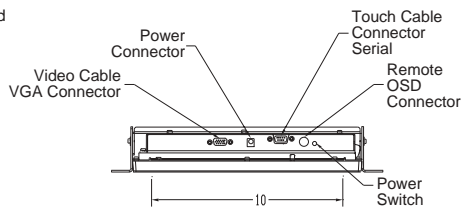
- Users should independently evaluate the suitability of the product for their application.
- All prices, models, and availability subject to change without notice.
- Stock quantities may be limited. Larger quantities are available within one week.
- For Product Agency Certifications refer to our Web site.

3000 Series
12" LCD Touchmonitor



*Noted dimensions are for non-touch, AccuTouch, and IntelliTouch only. For SecureTouch and infrared add 3.5 mm to each dimension.

Note:
3D Cad Files Available



Horizontal Mount

Vertical Mount

No Bracket Mount

