

Model		RD222XX4	RD232XX4
<b>Print</b>	<i>Method</i>	Direct Thermal	Direct Thermal
	<i>Width (max)</i>	1.89" 48mm	1.89" 48mm
	<i>Length (max)</i>	19" 483mm at 203 dpi	19" 483mm at 203 dpi
		76" 1220mm at 101 dpi	76" 1220mm at 101 dpi
	<i>Speed</i>	4 ips 101mm/sec	4 ips 101mm/sec
	<i>Resolution</i>	Selectable 203 or 101 dpi	Selectable 203 or 101 dpi
<b>Media</b>	<i>Width</i>	1" - 2.40"	1" - 2.40"
		25.4mm - 61mm	25.4mm - 61mm
	<i>Roll Diameter</i>	2.0" 51mm	3.125" 79mm
	<i>Indexing</i>	Black bar, notch and gap	Black bar, notch and gap
<b>Bar Codes</b>	<i>Types</i>	UPC, EAN, EAN128, Code39, Plessey, MSI/MSI1, Code16K, Code128, Codabar, MaxiCode, PDF417, I 2 of 5, more	
	<i>Rotations</i>	0° or 90°	0° or 90°
<b>Fonts</b>	<i>Bitmapped</i>	7 sizes with up to 16 x 16 magnification, variable boldness and spacing	
	<i>AGFA Fonts</i>	Sans-serif font in 7 sizes, up to 16x16 magnification, variable spacing	
	<i>Scalable Smooth Fonts</i>	Three Ultra Font styles for smooth characters, variable size, boldness, italics, grayscale	
	<i>Rotations</i>	360° in 90° increments	360° in 90° increments
<b>Graphics</b>	<i>Features</i>	Able to print and store graphics	Able to print and store graphics
	<i>Formats</i>	PCX, BMP	PCX, BMP
<b>Memory (STD)</b>	<i>SRAM</i>	256KB	256KB
	<i>Non-volatile</i>	1MB FLASH memory, up to 2MB available	
<b>Command Compatibility</b>		Cognitive Programming Language (CPL), Cognitive Line Print (CLP) mode	
<b>Battery</b>	<i>Type</i>	NiMH	NiMH
<b>Battery Environmental</b>			
	<i>Charge Standard</i>	32°F to 113°F or 0°C to 45°C	
	<i>Charge Rapid</i>	32°F to 104°F or 0°C to 40°C	
	<i>Discharge</i>	14°F to 149°F or -10°C to 65°C	
	<i>Storage &lt;1 year</i>	-4°F to 95°F or -20°C to 35°C	
	<i>Storage &lt;3 months</i>	-4°F to 113°F or -20°C to 45°C	
	<i>Storage &lt;1 month</i>	-4°F to 131°F or -20°C to 55°C	
<b>Printer Environmental</b>			
	<i>Operating</i>	14°F to 122°F -10°C to 50°C	14°F to 122°F -10°C to 50°C
	<i>Storage</i>	-4°F to 140°F -20°C to 60°C	-4°F to 140°F -20°C to 60°C
		10% to 95% non-condensing RH	10% to 95% non-condensing RH
<b>Dimensions (w/battery)</b>	<i>Height</i>	5.5" 141.82mm	6.77" 172mm
	<i>Width</i>	3.6" 92.1mm	3.6" 92.1mm
	<i>Depth</i>	3.5" 88.9mm	4" 101.6mm
	<i>Weight</i>	1.3lbs 0.59kg	1.5lbs 0.68kg
<b>Printhead Life</b>	<i>Typical</i>	2,000,000 inches	



**RD232XX4: Large Media Roll Capacity**

<b>Printer Configurations</b>	<i>Standard</i>	Code Ranger 2" or 3.125" OD with 1MB memory
	<i>Plus</i>	Code Ranger 2" or 3.125" OD with 2MB memory, label peeler, label presentation sensor, IrDA interface

### Standard Accessories

<i>CD-ROM</i>	Microsoft Windows 95, 98, ME, NT 4.0., 2000
<i>Software</i>	Windows® drivers, label design software, Fontcash2000™, printer configurator Programmer's Guide
<i>Attachments</i>	Swivel belt clip and cable strain relief
<i>Guides</i>	Quick Start Guide
<i>Battery</i>	NiMH battery, 1100mAh

### Optional Accessories

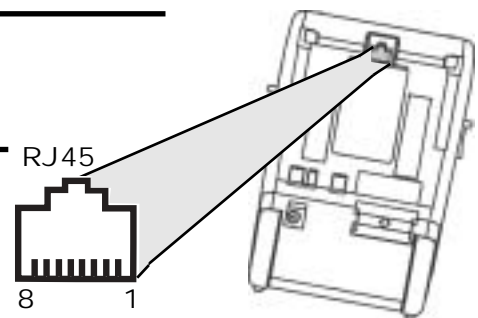
<i>Standard Charger</i>	Trickle charger with external power supply for standard 1100mAh battery, 8-10 hours for a full charge
<i>Fast Charger</i>	Fast charger with external power supply for standard 1100mAh battery, 1-2 hours for a full charge
<i>Multi-bay Fast Charger</i>	2-bay fast charger, smart battery, includes 2+2 mounting kit to connect multiple chargers, 1-2 hours for a full charge, available in 2002
<i>Serial Cables</i>	RJ45 to DB9, for a complete list visit the Cognitive web site
<i>Communications</i>	IrDA capable using 1.0 Lite standard
<i>Special Models/Upgrades</i>	Real time clock, linerless, peeler
<i>Accessory</i>	Rugged carrying case, shoulder strap
<i>Additional Languages</i>	Kanji character set
<i>Service</i>	Annual service contracts

<b>Communications</b>	<i>Standard</i>	RS232 Serial RJ45 (see below), max 115Kb (all models)
	<i>Optional</i>	RF 802.11 Symbol Spectrum 24 1Mbps, RF802.11b 11Mbps, IrDA 1.0 Lite 115Kb

### Communications Port

This Code Ranger printer is equipped with one RJ45 communications port, wired as follows:

1 CTS - In	5 GND - Neutral
2 RXD - In	6 DSR - In
3 TXD - Out	7 RTS - Out
4 DTR - Out	8 5VDC 150mA max



**RJ45 Printer Jack**

### Serial Port Parameters

This Code Ranger printer is configured as DTE equipment and uses RTS/CTS hardware handshaking (default) or XON/XOFF software handshaking.

The serial port supports the following parameters:

<i>Speed</i>	1200, 2400, 4800, 9600, 19200, 38400, 57600, 115200
<i>Parity</i>	N/E/O
<i>Data bits</i>	7/8
<i>Stop bits</i>	1/2
<i>Default Parameters</i>	9600, N, 8, 1, DSR and DTR programmable

For additional information about Cognitive products, contact the addresses below or visit our web site at [www.cognitive.com](http://www.cognitive.com)

# Cognitive™