



UNPM, UNPC Series Unity Prepackaged Cameras



The UNPM Series and UNPC Series Unity® Housing Packages are complete surveillance systems that include a camera and lens installed and pre-wired into a Bosch 9480 Series Housing. The package also includes an LTC 9215 Series feed-through wall mount. These packages are available in four configurations for indoor applications and eight outdoor configurations. Each indoor package includes a Bosch housing and feed-through wall mount, and your choice of standard or high resolution monochrome or color camera and a 2.8–10 mm or 5–50 mm varifocal lens installed. Outdoor packages include housing with heater and blower installed, feed-through wall mount and sunshield. A choice of standard or high resolution, monochrome or color camera and either a 2.8–10 mm or 5–50 mm varifocal lenses are available in the outdoor packages.

All packages include the Dinion® Series Cameras, featuring Bilinx technology for remote programming. Bilinx uses standard video cable to transmit alarm status messages, providing superior performance without additional installation steps.

In addition, UNPCH models include the Dinion LTC 0455 Series High Resolution Color Camera with its advanced NightSense technology to provide exceptional performance in low light applications.

Another advantage of these surveillance packages is with the plug and play design. Since these units come

- ▶ Dinion® monochrome or color camera and lens pre-wired into a Bosch housing
- ▶ Packages include:
 - ▶ Indoor and outdoor models - outdoor units include a sunshield
 - ▶ Standard and high resolution models available
 - ▶ 2.8–10 mm and 5–50 mm lens options
 - ▶ Bilinx bi-directional communication

with the camera and lens factory pre-installed with back-focus adjusted and pre-wired through the housing base, installation is quick and easy. One and one half meters (5 feet) coaxial cable and a power cable are provided to wire through the included feed-through mount to the connection point.

The installation-friendly design, coupled with the Dinion Series Camera and the feed-through cabling, make it a perfect solution for everyday surveillance needs.

Certifications and Approvals

Electromagnetic Compatibility (EMC)	Complies with FCC Part 15, ICES-003 and CE Regulations
Product Safety	Complies with CE Regulations, UL, CSA, EN and IEC Standards

Installation/Configuration Notes

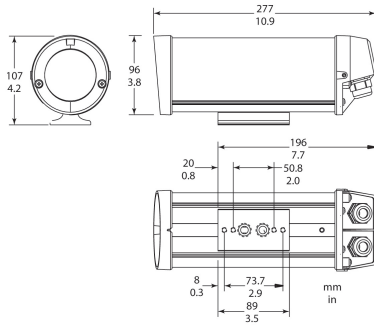


Figure 1 UNPxx28 Series – Indoor Models

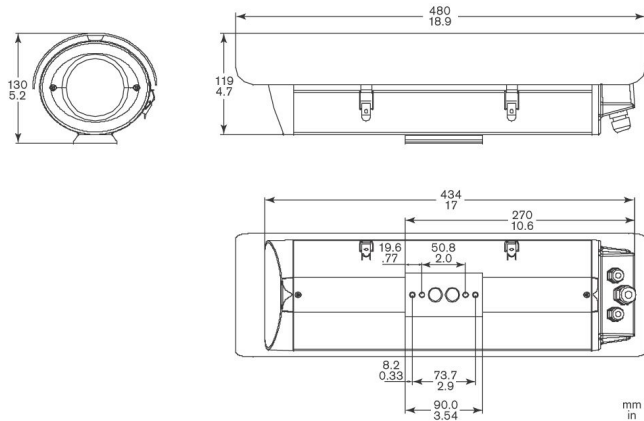


Figure 2 UNPxx28E, UNPxx55E Series – Outdoor Models

	A — C			E —
	B — M			F — E
UNP				
	C — S		28	— G
	D — H		55	— H

- A Color
- B Monochrome
- C Standard Resolution
- D High Resolution
- E Indoor
- F Outdoor
- G 2.8–10 mm
- H 5–50 mm

Unity® Prepackaged Cameras Ordering Guide

Use the following charts to create your order numbers.
Sample: UNPCH55E

- UNP Unity Prepackaged Cameras
- C Color
- H High Resolution
- 55 5–50 mm Varifocal Lens
- E Outdoor

Technical Specifications

Cameras

Imager	Interline transfer CCD, 1/3 in. format		
Active Picture Elements			
Monochrome			
• UNPMS (H x V)	512 x 492		
• UNPMH (H x V)	582 x 494		
Color			
• UNPCS (H x V)	510 x 494		
• UNPCH (H x V)	768 x 494		
Sensitivity (3200 K)			
	Full Video ¹ lx	Usable Picture ¹ lx (50 IRE)	Minimum Illumination ¹ lx
Monochrome			
• UNPMS	0.48	0.12	
• UNPMH	0.36	0.09	
Color			
• UNPCS	1.6	0.39	
• UNPCH	2.6	0.65	0.3
• NightSense		0.26	0.12
1. f/1.2 lens, 89% scene reflectance, SensUp Off.			
Horizontal Resolution			
UNPMS	380 TVL		
UNPMH	570 TVL		
UNPCS	330 TVL		
UNPCH	540 TVL		
Signal-to-Noise Ratio	50 dB		
AGC	21 dB (max.)		
Electronic Shutter	Automatic, 1/60 to 1/600,000 sec.		
Backlight Compensation	Center window weighting		
White Balance			
• UNPMS	N/A		
• UNPMH	N/A		
• UNPCS	Automatic sensing (2500–9000 K)		
• UNPCH	Automatic sensing (2500–9000 K)		
Video Output	Composite video 1.0 Vp-p, 75 Ohm		
Synchronization	Line-lock, crystal-lock		
Lens			
UNPxx-28, 28E	2.8–10 mm, f/1.4 to 360, auto iris		
UNPxx-55, 55E	5–50 mm, f/1.4 to 185, auto iris		

Connector

Video	Prewired 1.5 m (5 ft) coax with female BNC connector
Power ²	1 mm ² (18 AWG), 3 conductor, 1.5 m (5 ft) wiring harness with flying leads

2. Power supply input terminals are isolated from video output terminals.

Power

UNPxx-28, 55	12 to 28 VAC, 60 Hz, 4 W
UNPxx-28E, 55E	21 to 28 VAC, 60 Hz, 39 W

Mechanical

Housing

Construction	Aluminum housing casing, neoprene gaskets, UV-resistant polymer endcaps, and all stainless steel hardware
Finish	Gray
Window	3 mm (0.12 in.) thick UV-stabilized polycarbonate
Mounting	Four (4), 8 mm (5/16 in.) diameter fasteners (not included) are required for mounting
Dimensions	See figures 1 and 2
Weight (approx.)	Indoor model: 2.6 kg (5.7 lb) Outdoor model: 3.5 kg (7.8 lb)

Feed Through Mount

Max Load	9 kg (20 lb)
Size	30 cm (12 in.)
Weight	0.4 kg (0.9 lb)

Environmental - Outdoor Models

Operating Temperature	At an external temperature of –40°C to 50°C (–40°F to 122°F), the housing will maintain the internal temperature between –20°C to 55°C (–4°F to 131°F)
Humidity	0% to 93% relative, non-condensing
Enclosure Protection	IP55, NEMA-3R

Accessories

Sunshield	Included (outdoor models only)
Wall Mount	Included

Americas:
Bosch Security Systems
130 Perinton Parkway
Fairport, New York, 14450, USA
Phone: +1 585 223 4060
Fax: +1 800 289 0096
security.sales@us.bosch.com
www.boschsecurity.us

Europe, Middle East, Africa:
Bosch Security Systems B.V.
P.O. Box 80002
5600 JB Eindhoven, The Netherlands
Phone: +31 40 27 83955
Fax: +31 40 27 86668
emea.securitysystems@bosch.com
www.boschsecurity.com

Asia-Pacific:
Bosch Security Systems Pte Ltd
38C Jalan Pemimpin
Singapore 577180
Phone: +65 6319 3450
Fax: +65 6319 3499
apr.securitysystems@bosch.com
www.boschsecurity.com

Represented by