

UNPM, UNPC Series Unity® Prepackaged Cameras



Security Systems



Outdoor Model Shown

- Dinion® Monochrome or Color Camera and Lens
Pre-wired into a Bosch Housing
- Packages Include:
 - Feed-through Mount
 - 1.5 m (5 ft) of Cabling
- Indoor and Outdoor Models -
Outdoor Units Include a Sunshield
- Standard and High Resolution Models Available
- 2.8–10 mm and 5–50 mm Lens Options
- Plug and Play Design
- Easy Installation

The UNPM Series and UNPC Series Unity® Housing Packages are complete surveillance systems that include a camera and lens installed and pre-wired into a Bosch 9480 Series Housing. The package also includes an LTC 9215 Series feed-through wall mount.

These packages are available in four configurations for indoor applications and eight outdoor configurations.

Each indoor package includes a Bosch housing and feed-through wall mount, and your choice of standard or high resolution monochrome or color Dinion Camera with a 2.8–10 mm varifocal lens installed.

Outdoor packages include housing with heater and blower installed, feed-through wall mount and sunshield.

A choice of standard or high resolution, monochrome or color camera, and either 2.8–10 mm or 5–50 mm varifocal lens, are available in the outdoor packages.

In addition, UNPCH models include the Dinion LTC 0455 Series High Resolution Color Camera with its advanced Nightsense technology to provide exceptional performance in low light applications.

And when all is said and done, the true advantage of these surveillance packages lies with the plug and play design. Since these units come with the camera and lens factory pre-installed with back-focus adjusted, and pre-wired through the housing base, installation is quick and easy. One and one half meters (5 ft) of coax and power cable are provided to wire through the included feed-through mount to the connection point.

The plug and play concept, coupled with the package's sleek design and feed-through cabling, make it a perfect solution for everyday surveillance needs.

Cameras			
Imager	Interline Transfer CCD, 1/3 in. format		
Active Picture Elements			
Monochrome			
UNPMS	512 H x 492 V		
UNPMH	582 H x 494 V		
Color			
UNPCS	510 H x 494 V		
UNPCH	768 H x 494 V		
Sensitivity (3200 K)			
	Full Video ¹ lx	Usable Picture ¹ lx (50 IRE)	Minimum Illumination ¹ lx
Monochrome			
UNPMS	0.48	0.12	
UNPMH	0.36	0.09	
Color			
UNPCS	1.6	0.39	
UNPCH	2.6	0.65	0.3
NightSense		0.26	0.12
¹ f/1.2 lens, 89% scene reflectance, SensUp Off			
Horizontal Resolution			
UNPMS	380 TVL		
UNPMH	570 TVL		
UNPCS	330 TVL		
UNPCH	480 TVL		
Signal-to-Noise Ratio			
	50 dB		
AGC	21 dB (max)		
Electronic Shutter	Automatic, 1/60 to 1/600,000 sec.		
Backlight Compensation			
	Center Window Weighting		
White Balance			
UNPMS	N/A		
UNPMH	N/A		
UNPCS	Automatic Sensing (2500-9000 K)		
UNPCH	Automatic Sensing (2500-9000 K)		
Video Output	Composite Video 1.0 Vp-p, 75Ω		

Synchronization	Line-Lock, Crystal-Lock
Lens	
UNPxx-28, 28E	2.8–10 mm, f/1.4 to 360, auto iris
UNPxx-55E	5–50 mm, f/1.4 to 185, auto iris
Connector	
Video	Prewired 1.5 m (5 ft) coax with female BNC connector
Power ¹	1 mm ² (18AWG), 3 conductor, 1.5 m (5 ft) Wiring Harness with Flying Leads
¹ Power supply input terminals are isolated from video output terminals	
Power	
Rated Voltage	24 VAC, 60 Hz
Watts	
(UNPxx-28)	4 W
(UNPxx-28E, 55E)	39 W
Mechanical	
Housing	
Construction	Aluminum housing casing, neoprene gaskets, UV-resistant polymer endcaps, and all stainless steel hardware
Finish	Gray
Window	3 mm (0.12 in.) thick UV-Stabilized Polycarbonate
Mounting	Four (4) 8 mm (5/16 in.) diameter fasteners (not included) are required for mounting
Dimensions	See FIGURES 1 and 2
Weight (approx.)	Indoor Model: 2.6 kg (5.7 lb) Outdoor Model: 3.5 kg (7.8 lb)
Feed Through Mount	
Max Load	9 kg (20 lb)
Size	30 cm (12 in.)
Weight	0.4 kg (0.9 lb)

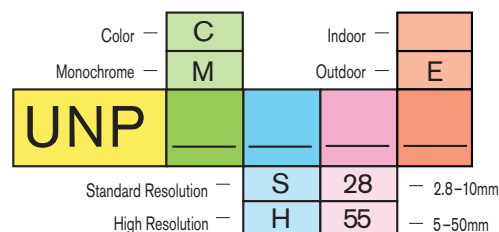
Ordering Information:

Create your order number based on the example.

Example: UNPCH55E

- Unity Prepackaged Cameras
- Color
- High Resolution
- 5–50 mm Varifocal Lens
- Outdoor

Unity®
Prepackaged Cameras
Quick Reference
Ordering Guide



Environmental

Operating Temperature With fixed lens: at an external temperature of

-40°C to +50°C (-40°F to +122°F), the housing will maintain the internal temperature between -20°C and 55°C (-4°F to +131°F).

With zoom lens: at an external temperature of -30°C to +50°C (-22°F to +122°F), the housing will maintain the internal temperature between -10°C and 55°C (+14°F to +131°F).

Humidity 0% to 93% relative, noncondensing

Enclosure Protection IP66, Designed to NEMA-4

Product Regulatory Compliance

Electromagnetic Compatibility (EMC)

Complies with FCC Part 15, ICES-003 and CE Regulations

Product Safety Complies with CE Regulations, UL, CSA, EN and IEC Standards

Accessories

Sunshield Included (outdoor models only)

Wall Mount Included

Figure 1 UNPxx28 Series - Indoor Models

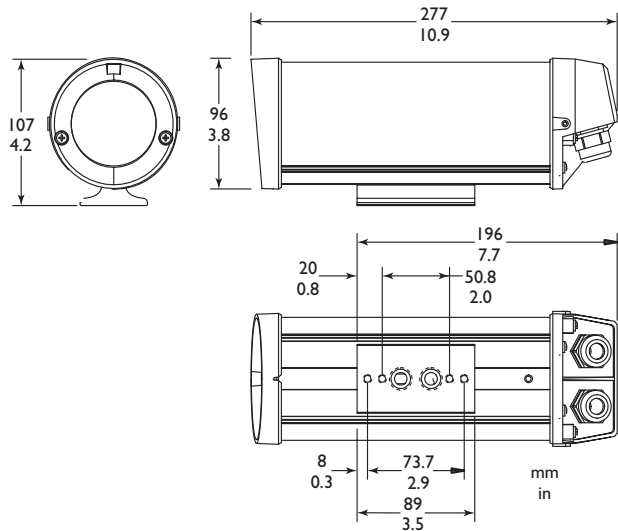
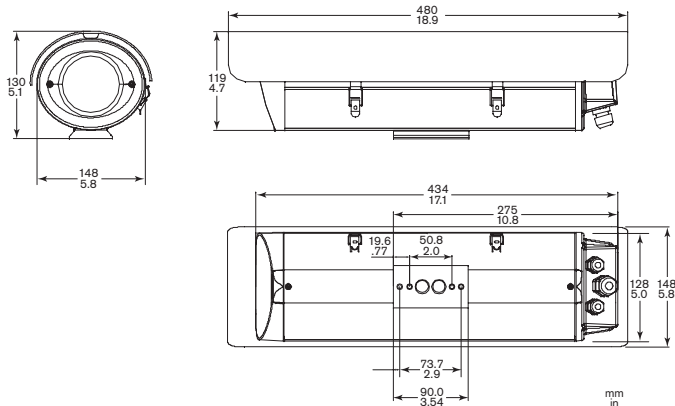


Figure 2 UNPxx28E, UNPxx55E Series - Outdoor Models



Americas

Bosch Security Systems
130 Perinton Parkway
Fairport, New York, 14450, USA
Phone: +1 (585) 223 4060
Fax: +1 (585) 223 9180
E-mail:
security.sales@us.bosch.com
www.boschsecurity.us

Europe, Middle East, Africa

Bosch Security Systems B.V.
P.O. Box 80002
5600 JB Eindhoven, The Netherlands
E-mail: ema.securitysystems@bosch.com
<http://www.boschsecurity.com>

Asia-Pacific

Bosch Security Systems Pte Ltd
38C Jalan Pemimpin
Singapore 577180, Singapore
Phone: +65 319 3488
Fax: +65 319 3499
E-mail:
sg.securitysystems@bosch.com
<http://www.boschsecurity.com>



BOSCH