



Varifocal Lenses



For optimizing angular fields right on site, varifocal lenses are the most versatile and practical solution available. These lenses allow for setting virtually any angle of field, which maximizes surveillance effects. Installers do not need to carry several different focal length lenses – and installation is more efficient because they can find the right angles of field without moving the camera set-up. If the field-of-view requirements change after installation, modification is simple by just altering the lens' focal length settings.

- ▶ **High-quality optics**
- ▶ **1/3-inch and 1/2-inch formats**
- ▶ **Reliable, robust construction**
- ▶ **Focal length options**
- ▶ **Compact design**
- ▶ **Manual and DC-iris versions**
- ▶ **Manual focus and zoom control**

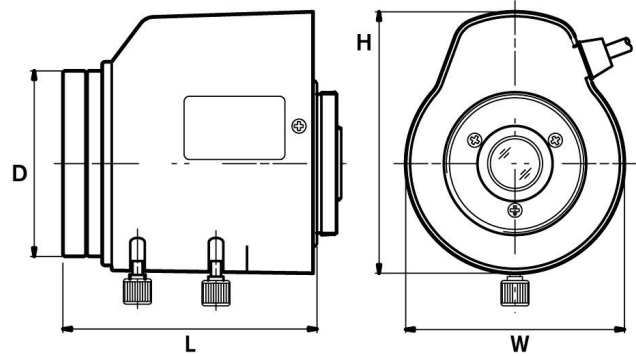
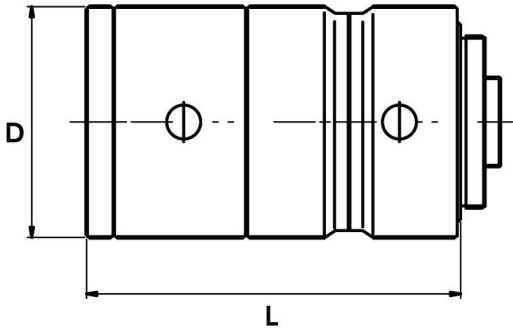
Functions

This series includes both manual and DC-iris varifocal lenses. They are compact, rugged, and available in 1/3-inch and 1/2-inch image formats. The series is organized by sensitivity, optical resolution, and range to match the wide range of Dinion camera applications.

These varifocal lenses come with a standard C or CS mount for use with a variety of cameras. The DC-iris control connection is a four-pin standard plug that fits directly into the camera's iris output. And the lenses deliver impressive optical quality due to their high standards for resolution, contrast reproduction, and coating.

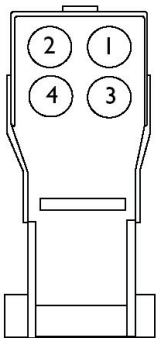
The mechanical construction is designed to withstand both frequent DC-iris control operations and the environmental stress of security installations. For flexible, high-quality, reliable lenses that match a camera's performance, this varifocal series is the ideal solution.

Installation/Configuration Notes



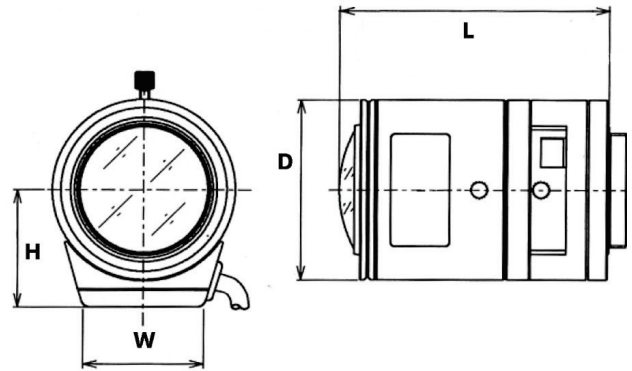
Lens Type	L mm (in)	D mm (in)
LTC 3361/32	42 (1.65)	36 (1.42)
LTC 3361/40	59 (2.32)	44 (1.73)
LTC 3361/50	55 (2.17)	34 (1.34)
LTC 3361/60	45.3 (1.78)	33 (1.3)
LTC 3371/20	59.2 (2.33)	44 (1.73)
LTC 3371/50	61.5 (2.42)	44 (1.73)

Lens Type	L mm (in)	D mm (in)	H mm (in)	W mm (in)
LTC 3274/41	77 (3.03)	42 (1.65)	56.8 (2.24)	46.5 (1.83)
LTC 3364/21	44 (1.73)	35.2 (1.39)	45.7 (1.8)	40.4 (1.59)
LTC 3664/30	44.4 (1.75)	35.2 (1.39)	44.7 (1.76)	38.3 (1.51)
LTC 3364/50	55 (2.17)	34 (1.34)	46 (1.81)	40 (1.57)
LTC 3364/60	45.3 (1.78)	33 (1.3)	46.5 (1.83)	39 (1.54)
LTC 3374/50	61.5 (2.42)	44 (1.73)	52.2 (2.06)	44.4 (1.75)



4-pin Passive-iris Connector (Front view)

- Pin 1: Damping coil -
- Pin 2: Damping coil +
- Pin 3: Driving coil + (open)
- Pin 4: Driving coil -



Lens Type	L mm (in)	D mm (in)	H mm (in)	W mm (in)
LTC 3364/40	59 (2.32)	44 (1.73)	26.2 (1.03)	26.4 (1.04)
LTC 3374/20	59.2 (2.33)	41 (1.61)	33.2 (1.31)	25 (0.98)
LTC 3664/40	59 (2.32)	44 (1.73)	26.2 (1.03)	26.4 (1.04)
LTC 3674/20	55.2 (2.17)	38 (1.5)	27.2 (1.07)	31 (1.22)
LTC 3764/20	53.9 (2.12)	40 (1.57)	31 (1.22)	24.6 (0.97)
LTC 3774/30	62 (2.44)	38.6 (1.52)	31.1 (1.22)	31.8 (1.25)

Technical Specifications

Environmental

Operating Temperature	-10°C to +50°C (+14°F to +122°F)
Storage Temperature	-40°C to +70°C (-40°F to + 158°F)
Operating Humidity	Up to 93% non-condensing
Cerification	CE (DC-iris models)

Ordering Information

Model & Description

LTC 3361/32 Varifocal Lens	1/3-inch, 3.0 – 8 mm, manual-iris, CS-mount F1.0-close
LTC 3361/40 Varifocal Lens	1/3-inch, 2.8 – 12 mm, manual-iris, CS-mount F1.4-close
LTC 3361/50 Varifocal Lens	1/3-inch, 2.8 – 10 mm, manual-iris, CS-mount F1.4-close
LTC 3361/60 Varifocal Lens	1/3-inch, 3.5 – 8 mm, manual-iris, CS-mount F1.4-close
LTC 3364/21 Varifocal Lens IR corrected	1/3-inch, 2.8 – 6 mm, DC-iris, CS-mount F1.4-200, 4-pin
LTC 3664/30 Varifocal Lens IR corrected	1/3-inch, 3.0 – 8 mm, DC-iris, CS-mount F1.0-360, 4-pin
LTC 3364/40 Varifocal Lens	1/3-inch, 2.8 – 12 mm, DC-iris, CS-mount F1.4-360, 4-pin
LTC 3364/50 Varifocal Lens	1/3-inch, 2.8 – 10 mm, DC-iris, CS-mount, F1.4-360, 4 pin
LTC 3364/60 Varifocal Lens	1/3-inch, 3.5 – 8 mm, DC-iris, CS-mount F1.4-360, 4-pin
LTC 3371/20 Varifocal Lens	1/3-inch, 5 – 50 mm, manual iris, CS-mount F1.4-close
LTC 3371/50 Varifocal Lens	1/3-inch, 5 – 50 mm, manual iris, CS-mount F1.7-close
LTC 3374/20 Varifocal Lens	1/3-inch, 5 – 50 mm, DC-iris, CS-mount F1.4-185, 4-pin
LTC 3374/50 Varifocal Lens	1/3-inch, 5 – 50 mm, DC-iris, CS-mount F1.7-360, 4-pin
LTC 3664/40 Varifocal Lens IR corrected	1/3-inch, 2.8 – 11 mm, DC-iris, CS-mount F1.4-360, 4-pin
LTC 3274/41 Varifocal Lens	1/2-inch, 7.5 – 75 mm, DC-iris, C-mount, F1.7-360, 4-pin
LTC 3674/20 Varifocal Lens IR corrected	1/3-inch, 7.5 – 50 mm, DC-iris, CS-mount F1.3-360, 4-pin
LTC 3764/20 Varifocal Lens IR corrected	1/2-inch, 4 – 12 mm, DC-iris, C-mount F1.2-360, 4-pin
LTC 3774/30 Varifocal Lens IR corrected	1/2-inch, 10 – 40 mm, DC-iris, C-mount F1.4-360, 4-pin

Hardware Accessories

S1374 Adapter	converts C mount lens to CS mount camera
---------------	--

Americas:
 Bosch Security Systems
 130 Perinton Parkway
 Fairport, New York, 14450, USA
 Phone:+1 585 223 4060
 Fax:+1 800 289 0096
 security.sales@us.bosch.com
<http://www.boschsecurity.us>

Europe, Middle East, Africa:
 Bosch Security Systems B.V.
 P.O. Box 80002
 5600 JB Eindhoven, The Netherlands
 Phone:+31 (0) 40 27 83955
 Fax:+31 (0) 40 27 86668
 emea.securitysystems@bosch.com
<http://www.boschsecurity.com>

Asia-Pacific:
 Bosch Security Systems Pte Ltd
 38C Jalan Pemimpin
 Singapore 577180
 Phone:+65 6319 3450
 Fax:+65 6319 3499
 apr.securitysystems@bosch.com
<http://www.boschsecurity.com>

Represented by