

EX14 Marine Camera

www.boschsecurity.com



BOSCH

Invented for life



- ▶ Designed specifically for marine usage
- ▶ 12 m (40 ft) of covert infrared night vision option
- ▶ IP66, NEMA 4X for extreme weather conditions
- ▶ Photocell-controlled operation for accurate day/night switching
- ▶ Injection molded ASA+PC enclosure for exceptional durability

The EX14 Marine Camera is an all-environment camera designed specifically for marine and extreme weather applications. The 940 nm active infrared option provides covert operation that does not interfere with shipping navigation lights. The simple, effective design allows performance in the most challenging of environmental conditions. The housing is compact with a 4 to 9 mm varifocal, auto-iris lens for a variety of marine applications.

The EX14 Marine Camera incorporates mechanical filter technology for vivid daytime color and exceptional night-time imaging under infrared illumination, while maintaining sharp focus under all lighting conditions. The EX14 Marine Camera also features proprietary CCD technology for outstanding spectral response in the near infrared for excellent active-infrared night vision.

A high-efficiency 18-LED spatially-optimized infrared array contributes to evenly-distributed infrared illumination. Photocell-control ensures that video and LED switching are accurate. The result is a 24/7 camera, with 12 m (40 ft) of night vision in completely dark environments.

Made of an injection-molded Acrylonitrile Styrene Acrylate and Polycarbonate (ASA+PC) resin, the EX14 Marine Camera is engineered specifically to withstand hot, cold, and salt water environments. A totally insulated inner chamber eliminates the requirement

for internal heaters and blowers. Compliant to IP66 and NEMA 4X, the EX14 Marine Camera is ready for deployment in the world's harshest environments. The EX14 Marine also features an easy-access camera compartment for easy camera/lens adjustments and installation.

Rugged, compact, power protected, and sealed to protect in extreme weather conditions, the EX14 Marine Camera is an ideal camera for harsh environments in day or dark conditions. The EX14 Marine comes complete with a nylon wall bracket for quick and easy installation.

Functions

The camera features:

- Totally weatherproof for hot and cold environments
- Optional covert 940 nm active IR night vision with no red glow
- Completely insulated internal chamber
- No requirement for internal heater or cooler
- Installer-friendly, easy-access camera compartment
- Varifocal 4 to 9 mm auto-iris lens
- Extreme weather sealed, saltwater resistant, and IP66 compliant
- Gland installed for typical size marine cables
- Convenient terminal block for power/video connections

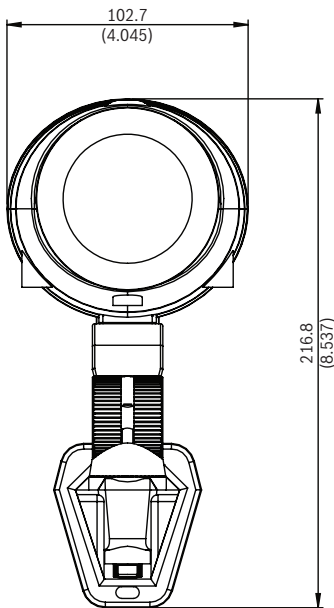
Applications

- Cruise Ships
- Marine vessels
- Ports and harbors
- Coastal environments
- Wash down applications
- Food processing
- Acid / alkali environment
- Sewage Treatment plants
- Sub-zero weather applications
- Chemical facilities
- Industrial freezers and refrigerators

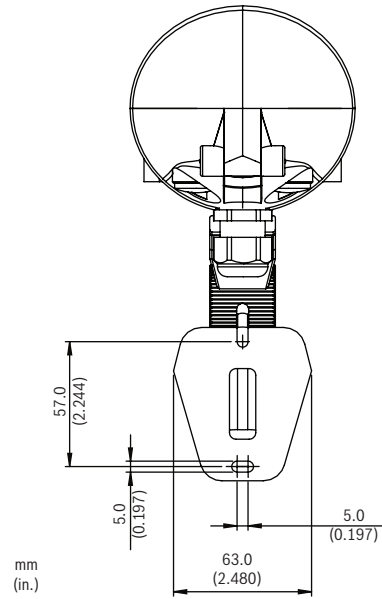
Certifications and Approvals

Region	Certification
Europe	CE

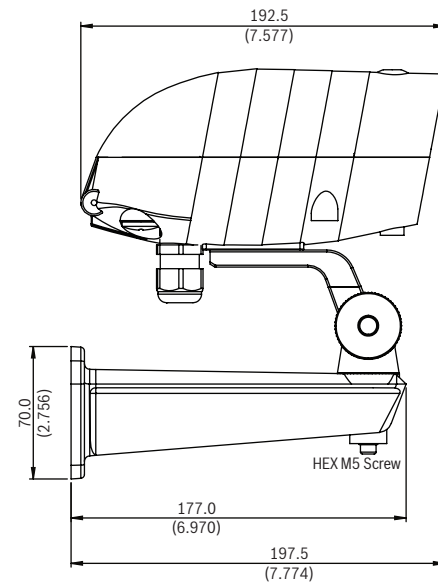
Installation/Configuration Notes



Front View



Back View



Side View

Technical Specifications

Model	EX14 Marine
CCD	1/3 in. EXview HAD with OSD
Resolution	540 TVL color 540 TVL monochrome
Effective Pixels (H x V)	NTSC: 768 x 494 PAL: 752 x 582
Day Sensitivity	0.1 lux (30 IRE, Color)
Night Sensitivity	0.001 lux (30 IRE, B/W), 0 lux with IR
S/N Ratio	Greater than 50 dB (AGC off)

Video Output	1 Vpp, 75 ohm
Gamma	Selectable - 0.45, 0.6, or 1.0
AGC	Auto, adjustable
Electronics Iris	1/60 to 1/100,000 (NTSC) 1/50 to 1/100,000 (PAL)
BLC	Adjustable
White Balance	Selectable AWC, ATW, Manual, or Push Lock
Dynamic Range Compensation	Selectable On/Off
Privacy	4 Zone Masking
Lens	4-9mm varifocal, auto-iris, IR corrected
Voltage Supply	12 to 24 VAC/VDC
LED Type	High-efficiency 940 nm, even distribution IR (IR models only)
Number of LEDs	18 (IR models only)
Power Consumption	5 W (No IR) 8 W (IR ON)
Internal Heater / Cooler	Not required
Window	Lexan Margard Polycarbonate
Wall Bracket	Included
Color	Traffic White (RAL 9016)
External Dimensions (L x W x H)	180 x 85 x 85 mm (7.1 x 3.3 x 3.3 in)
Input Cable Size	11/64 to 15/32 in. (4.4 to 11.9 mm)
Weight	0.7 kg (1.5lb) bracket included
Operating Temperature Range	-60°C to +60°C (-76°F to +140°F)
Environmental	IP66, NEMA 4X

Ordering Information

EX14MNX9V0408MN NTSC Marine Camera with Integrated Infrared

Day/Night, 1/3 in. CCD, 540 TVL, NTSC, 4-9 mm varifocal, auto-iris lens, 18 LEDs, 9-40 nm, white
Order number **EX14MNX9V0408M-N**

EX14MNX9V0408MP PAL Marine Camera with Integrated Infrared

Day/Night, 1/3 in. CCD, 540 TVL, PAL, 4-9 mm varifocal, auto-iris lens, 18 LEDs, 9-40 nm, white
Order number **EX14MNX9V0408M-P**

EX14MX4V0409MN NTSC Marine Camera

Day/Night, 1/3 in. CCD, 540 TVL, NTSC, 4-9 mm varifocal, auto-iris lens, white
Order number **EX14MX4V0409M-N**

EX14MX4V0409MP PAL Marine Camera

Day/Night, 1/3 in. CCD, 540 TVL, PAL, 4-9 mm varifocal, auto-iris lens, white
Order number **EX14MX4V0409M-P**

Accessories

VIP-X1XF

H.264 dual-stream 1-channel encoder, VCA ready
Order number **VIP-X1XF**

VJT-X10S

VideoJet X10 with 1 video input
Order number **VJT-X10S**

VJT-X10S-H008

VideoJet X10 with 1 video input and a 80 GB hard disk
Order number **VJT-X10S-H008**

VJT-X20S

VideoJet X20 with 2 video inputs
Order number **VJT-X20S**

VJT-X20S-H008

VideoJet X20 with 2 video inputs and a 80 GB hard disk
Order number **VJT-X20S-H008**

VJT-X40S

VideoJet X40 with 4 video inputs
Order number **VJT-X40S**

VJT-X40S-H008

VideoJet X40 with 4 video inputs and a 80 GB hard disk
Order number **VJT-X40S-H008**

UPA-2430-60 Power Supply

120 VAC, 60 Hz, 24 VAC, 30 VA Out
Order number **UPA-2430-60**

UPA-2420-50 Power Supply

220 VAC, 50 Hz, 24 VAC, 20 VA Out
Order number **UPA-2420-50**

Represented by:

Americas:

Bosch Security Systems, Inc.
130 Perinton Parkway
Fairport, New York, 14450, USA
Phone: +1 800 289 0096
Fax: +1 585 223 9180
security.sales@us.bosch.com
www.boschsecurity.us

Europe, Middle East, Africa:

Bosch Security Systems B.V.
P.O. Box 80002
5617 BA Eindhoven, The Netherlands
Phone: + 31 40 2577 284
Fax: +31 40 2577 330
emea.securitysystems@bosch.com
www.boschsecurity.com

Asia-Pacific:

Robert Bosch (SEA) Pte Ltd, Security
Systems
11 Bishan Street 21
Singapore 573943
Phone: +65 6571 2808
Fax: +65 6571 2699
apr.securitysystems@bosch.com
www.boschsecurity.asia

China:

Bosch (Shanghai) Security Systems Ltd.
201 Building, No. 333 Fuquan Road
North IBP
Changning District, Shanghai
200335 China
Phone +86 21 22181111
Fax: +86 21 22182398
www.boschsecurity.com.cn

America Latina:

Robert Bosch Ltda Security Systems Division
Via Anhanguera, Km 98
CEP 13065-900
Campinas, Sao Paulo, Brazil
Phone: +55 19 2103 2860
Fax: +55 19 2103 2862
al.securitysystems@bosch.com
www.boschsecurity.com