

**1 ft. x 2 ft.**

# DROP-IN CEILING SPEAKER

**INSTALLS  
FAST  
& EASY!**



## CSD1X2 Drop-In Ceiling Speaker

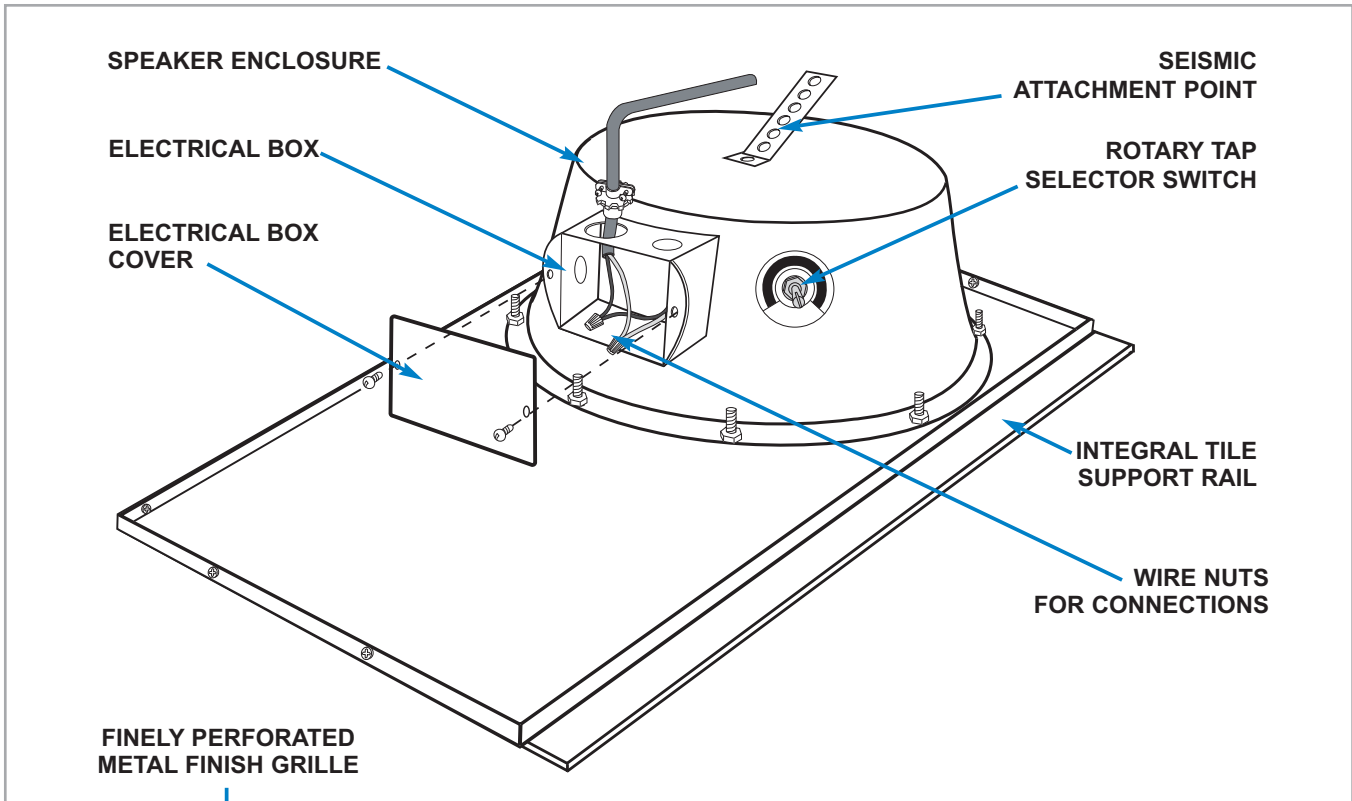
Bogen's Drop-In Ceiling Speaker is a full-range speaker that allows for fast and easy installation. Just make one simple cut to the ceiling tile and drop the CSD1X2 into place.

- One-piece assembly saves installation time, effort, and cost
- 1 ft. x 2 ft. finely perforated grille over the entire speaker front
- Fully enclosed, industrial grade steel construction
- Plenum-Rated — meets requirements of UL standard 2043 for smoke and heat release (report available online)
- 70V/25V, 4-watt transformer (4, 2, 1, .5, .25 watt) taps; selected by rotary switch
- 8" main cone with secondary high frequency cone
- Integral tile support rail
- For use with both 2 ft. x 4 ft. and 2 ft. x 2 ft. suspended tile ceilings
- Seismic attachment point



**BOGEN®**

# CSD1X2 Drop-In Ceiling Speaker



## SPECIFICATIONS

Frequency Response	110 Hz - 20 kHz
SPL @ 1W / 1M	94 dB
Dispersion @ 2 kHz (6 dB down)	100°
Cone Material & Surround	Treated paper
Cones	8" main cone with secondary high frequency cone
Magnet Weight	10 ounces
Connection	Via wire nuts (included in electrical box)
Dimensions	12- <sup>7</sup> / <sub>8</sub> " W x 4- <sup>3</sup> / <sub>4</sub> " H x 23- <sup>3</sup> / <sub>4</sub> " D
Product Weight	10 lb.

## Architect and Engineer Specifications

The speaker shall be a Bogen Model CSD1X2. It shall be a one-piece steel assembly comprised of a damped high-compliance factory-mounted 8" loudspeaker, 70V/25V transformer, tile support rail, fully enclosed, and 1 ft. x 2 ft. non-reflective, white metal finish grille.

The unit shall include an 8" treated paper main cone with a secondary high frequency cone and a 10 ounce magnet.

Transformer shall have power taps of 4, 2, 1, .5, and .25 watts, selectable by rotary switch. Output shall be 94 dB @ 1 watt/1 meter (min.). Frequency response shall be 110 Hz - 20 kHz (min.).

The speaker shall measure 12-<sup>7</sup>/<sub>8</sub>" W x 4-<sup>3</sup>/<sub>4</sub>" H x 23-<sup>3</sup>/<sub>4</sub>" D and weigh 10 lb.

**BOGEN<sup>®</sup>**  
**COMMUNICATIONS, INC.**

50 Spring Street, Ramsey, NJ 07446, U.S.A.  
Tel: 201-934-8500 Fax: 201-934-9832 www.bogen.com

Specifications subject to change without notice.  
© 2006 Bogen Communications, Inc.  
Part No. 54-9261-01B Printed in U.S.A. 0609