

AXIS M11 Network Camera Series

Compact and affordable high-resolution cameras for professional surveillance.



- > Excellent image quality
- > Multiple H.264 streams
- > Power over Ethernet
- > Pixel counter
- > Outdoor-ready models

AXIS M11 Series includes both indoor and outdoor-ready fixed cameras, which offer professional and cost-effective fixed cameras suitable for a wide range of video surveillance locations, such as retail stores and service stations, as well as libraries and other buildings.

AXIS M11 Network Camera Series offers excellent image quality, where progressive scan provides crisp and clear images from both illuminated and low-light areas. AXIS M11 Series ranges from SVGA-resolution cameras up to 1-megapixel cameras, which also provide HDTV 720p video at full frame rate. AXIS M1113 and AXIS M1114 are available in both indoor and "-E" outdoor-ready versions.

Multiple H.264 streams, as well as Motion JPEG streams, can be provided at full frame rate, or each stream can be individually optimized for different quality requirements and bandwidth constraints.

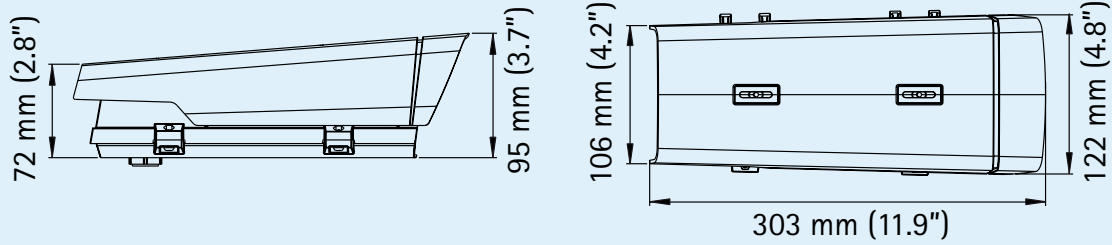
Power over Ethernet supplies power to the camera via the network, eliminating the need for power cables and reducing installation costs. The outdoor-ready models are made of UV resistant polymer and require no additional heater.

The pixel counter helps the installer verify that the pixel resolution of an object or face fulfills regulatory or specific customer requirements, for example, for facial identification purposes.

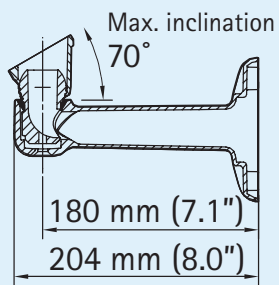
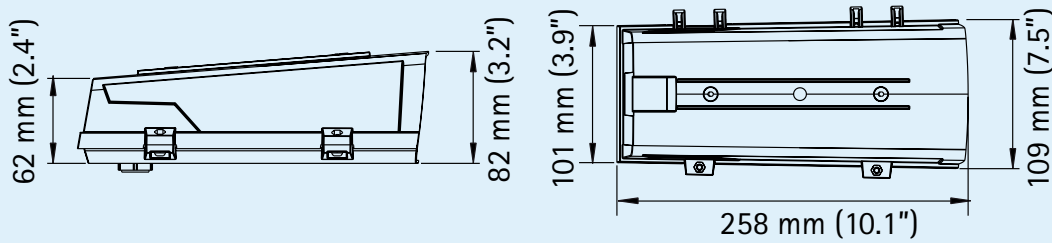


Dimensions: AXIS M11-E Network Cameras and wall bracket with internal cable channel

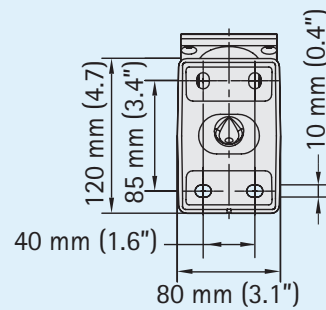
With sunshield



Without sunshield

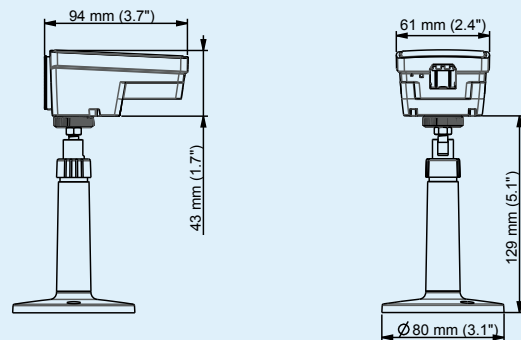
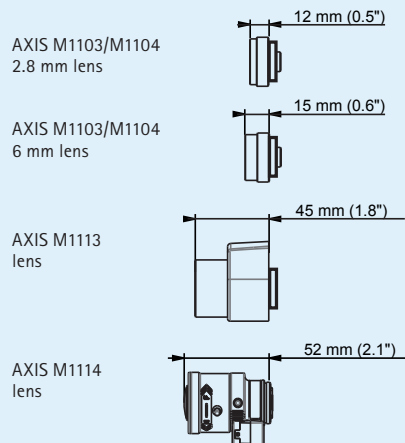


Wall bracket



Back side of
wall bracket

Dimensions: AXIS M11 Network Cameras



Technical Specifications – AXIS M11 Network Camera Series

Camera	
Models	AXIS M1103: fixed focal lens: SVGA resolution AXIS M1104: fixed focal lens: 1 MP/HDTV 720p AXIS M1113/-E: varifocal, DC-iris lens: SVGA resolution AXIS M1114/-E: varifocal, DC-iris lens: 1 MP/HDTV 720p
Image sensor	Progressive scan RGB CMOS 1/4"
Lens	Fixed iris, CS mount AXIS M1103 2.8 mm: 66° view*, F2.0 AXIS M1103 6 mm: 31° view*, F1.8 AXIS M1104 2.8 mm: 80° view*, F2.0 AXIS M1104 6 mm: 37° view*, F1.8 DC-iris, CS mount AXIS M1113: Varifocal 2.9 – 8.2 mm: 65° – 25° view*, F1.4 AXIS M1114: Varifocal 2.8 – 8 mm: 87° – 29° view*, F1.2 AXIS M1113-E: Varifocal 2.9 – 8.2 mm: 65° – 25° view*, F1.4 AXIS M1114-E: Varifocal 2.8 – 8 mm: 87° – 29° view*, F1.2 *horizontal angle of view
Light sensitivity/Min. Illumination	AXIS M1103/M1104 2.8mm: 1.0 – 100000 lux, F2.0 AXIS M1103/M1104 6mm: 0.9 – 100000 lux, F1.8 AXIS M1113/-E: 0.6 lux, F1.4 AXIS M1114/-E: 0.6 lux, F1.2
Shutter time	1/24 500 s to 1/6 s
Video	
Video compression	H.264 (MPEG-4 Part 10/AVC), Motion JPEG
Resolutions	AXIS M1103, AXIS M1113/-E: 800x600 to 160x90 AXIS M1104, AXIS M1114/-E: 1280x800* to 160x90 *1440x900 (1.3 MP) scaled resolution available via VAPIX®
Frame rate H.264	30 fps in all resolutions
Frame rate Motion JPEG	30 fps in all resolutions
Video streaming	Multiple, individually configurable streams in H.264 and Motion JPEG Controllable frame rate and bandwidth VBR/CBR H.264
Pan/Tilt/Zoom	Digital PTZ, preset positions, guard tour
Image settings	Compression, color, brightness, sharpness, contrast, white balance, exposure control, exposure zones, backlight compensation, fine tuning of behavior at low light, mirroring of images Rotation – including Corridor Format™ Text and image overlay, privacy mask
Network	
Security	Password protection, IP address filtering, HTTPS** encryption, digest authentication, user access log
Supported protocols	IPv4/v6, HTTP, HTTPS**, QoS Layer 3 DiffServ, FTP, SMTP, Bonjour, UPnP, SNMPv1/v2c/v3(MIB-II), DNS, DynDNS, NTP, RTSP, RTP, TCP, UDP, IGMP, RTCP, ICMP, DHCP, ARP, SOCKS

More information is available at www.axis.com

** This product includes software developed by the OpenSSL Project for use in the OpenSSL Toolkit. (www.openssl.org)

System integration	
Application Programming Interface	Open API for software integration, including VAPIX® from Axis Communications, specifications available at www.axis.com AXIS Video Hosting System (AVHS) with One-Click Camera connection
Intelligent video	Video motion detection, active tampering alarm
Alarm triggers	Intelligent video
Alarm events	File upload via FTP, HTTP and email Notification via email, HTTP and TCP Pre- and post-alarm video buffering
Installation aids in software	Pixel counter
General	
Casing	Camera: Aluminum and plastic AXIS M1113-E/M1114-E: IP66-rated acrylate enclosure Color: white NCS S 1002-B
Processor and memory	ARTPEC-3, 128 MB RAM, 128 MB Flash
Power	Power over Ethernet IEEE 802.3af Class 1
Connectors	RJ-45 10BASE-T/100BASE-TX PoE
Operating conditions	AXIS M1103/M1104/M1113/M1114: -20 °C to 50 °C (-4 °F to 122 °F) Humidity 20 – 80% RH (non-condensing) AXIS M1113-E/M1114-E: -20 °C to 50 °C (-4 °F to 122 °F) Humidity 15 – 100% RH (condensing)
Approvals	EN 55022 Class B, EN 61000-3-2, EN 61000-3-3, EN 61000-6-1, EN 61000-6-3, EN 55024, FCC Part 15 Subpart B Class B, ICES-003 Class B, VCCI Class B, C-tick AS/NZS CISPR 22, KCC Class A, IEC/EN 60950-22, IEC 60068-2-1, IEC 60068-2-2, IEC 60068-2-6, IEC 60068-2-14, IEC 60068-2-27 AXIS M1113-E/M1114-E: IEC 60529 IP66, IEC 60068-2-30, IEC 60068-2-78
Weight	AXIS M1103/AXIS M1104: 170 g (0.37 lb.) AXIS M1113: 200 g (0.44 lb.) AXIS M1114: 210 g (0.46 lb.) AXIS M1113-E: 780 g (1.72 lb.) AXIS M1114-E: 790 g (1.74 lb.)
Included accessories	AXIS M1103/AXIS M1104/M1113/M1114: Stand, Installation Guide, CD with installation tools, recording software and User's Manual, Windows decoder 1-user license AXIS M1113-E/M1114-E: Wall bracket, sunshield, User's Guide, CD with installation tools, recording software and Windows decoder 1-user license, Desiccant bag
Optional accessories	AXIS T93E05 Protective Housing (for AXIS M11 Network Cameras) Mounting Accessories AXIS T8412 Installation Display AXIS P8221 Network I/O Audio Module AXIS Power over Ethernet products Lenses

Optional mounting accessories

Wall brackets

Wall bracket and integrated junction box



Wall bracket ball joint



Column bracket

Column mount with ball joint



Ceiling brackets

Ceiling bracket and internal cable channel



Ceiling bracket ball joint



Ceiling bracket ball joint



Wall bracket accessories

Wall bracket adapter plate



Pole mount adapter



Waterproof junction box



Corner mount



Optional accessories

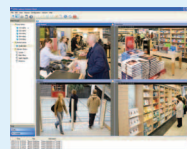
AXIS T8412 Installation Display



AXIS P8221 Network I/O Audio Module



Lenses



For information on AXIS Camera Station and video management software from Axis' Application Development Partners, see www.axis.com/products/video/software/

Other accessories

AXIS PoE products



AXIS T90A White LED Illuminators

