

AXIS 215 PTZ Network Camera

*Compact pan/tilt/zoom camera for
360 degree video surveillance*



*AXIS 215 PTZ Network Camera
with pan/tilt/zoom control
over IP networks enabling
360 degree panning by unique
Auto-flip functionality.*



PAN, TILT AND ZOOM >

Effective pan, tilt and zoom including Auto-flip and E-flip functionality.

AUTO-FLIP >

Unique 360 degree pan capability, thanks to the Auto-flip functionality.

12X ZOOM >

12x optical zoom and 4x digital zoom offer a total of 48x magnification for easy monitoring of small or distant objects.

DAY & NIGHT FUNCTIONALITY >

Automatic day and night functionality with removable IR filter for increased light sensitivity.

AUDIO DETECTION ALARM >

Connected to an audio capturing device, AXIS 215 PTZ can send an alarm triggered by sound at a configurable detection level.

SIMULTANEOUS MOTION JPEG AND MPEG-4 >

Simultaneous Motion JPEG and MPEG-4 video streams allow for optimization both on image quality and bandwidth efficiency.

AXIS[®]
COMMUNICATIONS

RELIABLE, DISCREET SURVEILLANCE

AXIS 215 PTZ is a day and night camera that offers pan/tilt/zoom control over IP networks. AXIS 215 PTZ has a compact, tamper-proof design providing protection against tampering as all moving parts are inside the casing. This versatile camera is the perfect choice for indoor environments such as shops, receptions, banks and other facilities, where you need both an overview and the possibility to zoom in for detailed inspections.



ADVANCED PTZ CONTROL

AXIS 215 PTZ enables advanced remote monitoring with pan, tilt and zoom through operator control over the IP network. With high speed and high precision movement between presets, AXIS 215 PTZ can follow a person at distance or quickly pan/tilt to a preset position. A Joystick can be used to control the PTZ movements.

AUTO-FLIP

Traditional PTZ cameras have a mechanical stop that prevents the cameras' circular movement making it impossible to follow a person walking in a full circle around the camera. Thanks to the Auto-flip functionality developed by Axis, AXIS 215 PTZ can instantly flip the camera head 180 degrees and continue to pan beyond its zero point. The camera can then continue to follow a passing person or object, regardless of the direction.

E-FLIP

When a person passes below the camera, the image will be upside-down after 90 degrees tilt. With other PTZ camera models, the operator must rotate the image 180 degrees but with the E-flip functionality, AXIS 215 PTZ can automatically flip the image electronically 180 degrees, and continue to follow the person in the correct orientation, without delay.

48X MAGNIFICATION

The total magnification capacity of 48x increases the monitoring options with the ability to show a detailed and precise view of the zoomed in area.

DAY & NIGHT FUNCTIONALITY

With automatic day/night functionality, light sensitive CCD and removable IR filter, this camera provides perfect color images when there is sufficient light, and high quality black/white video in dark conditions.



AUDIO DETECTION ALARM

The two-way audio support allows remote users not only to view but also listen in on an area, picking up unusual sounds from suspicious activity and communicating with visitors or intruders. Axis' audio enabled video products are capable of sending an alarm at a configurable audio detection level. The camera can be redirected to fixed, preset positions when there is an alarm.



SUPERIOR IMAGE QUALITY

SIMULTANEOUS MOTION JPEG AND MPEG-4

AXIS 215 PTZ offers simultaneous MPEG-4 and Motion JPEG. Video streams can be optimized for image quality and bandwidth efficiency by configuration of frame rate, resolution, compression level and format – offering up to 30 frames per second in 4CIF resolution.

ADVANCED SECURITY AND NETWORK MANAGEMENT

AXIS 215 PTZ offers the highest degree of security by using multiple, password-protected user access levels, IP address filtering, HTTPS encryption and IEEE 802.1X authentication. IPv6 is supported in addition to IPv4, as insurance against the growing shortage of IP addresses eliminating problems with static IP address allocation.

Network utilization is optimized with the support for Quality of Service (QoS), which enables reservation of network capacity and prioritization of mission-critical surveillance in a QoS-aware network.

POWERFUL EVENT MANAGEMENT

With Axis network cameras, video can be accessed at any time, from any computer anywhere. AXIS 215 PTZ allows for powerful event management with multi-window motion detection, and inputs/outputs for connecting e.g. sensors and external relays for activating lights, locking/unlocking doors. Pre- and post-image alarm buffering secures images just before and after an alarm.

OPEN PROGRAMMING INTERFACE FOR CUSTOMIZED APPLICATIONS

AXIS 215 PTZ includes the industry-standard Axis Application Programming Interface, AXIS VAPIX™ API, which facilitates the development of customized software solutions. It also ensures compatibility with the market's widest range of third-party applications, available via Axis Application Development Partners.



ALL INCLUSIVE

AXIS 215 PTZ comes complete with power supply and indoor mounting accessories for hard and drop ceiling. No additional equipment is needed. Both smoked and clear transparent covers are provided.

EASY JOYSTICK CONTROL OF AXIS 215 PTZ

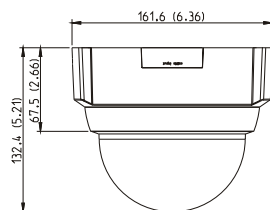
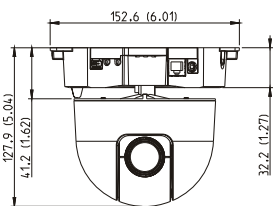


Optional accessory

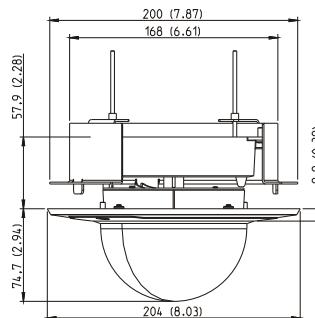
The highly responsive and extremely precise AXIS 295 Video Surveillance Joystick allows easy tracking of objects of interest and fast, flexible and secure operation of AXIS 215 PTZ. The joystick offers 12 programmable push buttons and a USB interface that makes installation easy. With the joystick connected, fast and accurate pan/tilt/zoom control is enabled.

DIMENSIONS

Measurements in millimeters (inches)



Hard ceiling mount



Drop ceiling mount



TECHNICAL SPECIFICATIONS – AXIS 215 PTZ NETWORK CAMERA

Models	AXIS 215 PTZ Network Camera 50 Hz AXIS 215 PTZ Network Camera 60 Hz	Connector	Ethernet 10BaseT/100BaseTX, RJ-45 Terminal block for 1 alarm input, 1 output and power out for I/O, audio line/mic in, audio line out
Image Sensor	1/4" Sony interlaced CCD	Processors and memory	AXIS ETRAX FS 32-bit RISC CPU, AXIS ARTPEC-2 video compression chip, 32 MB RAM, 8 MB flash Battery backed up real-time clock
Lens	F1.6 - F2.7, f = 3.8 - 46 mm, automatic day/night, autofocus Focus range: 300 mm (wide) or 1000 mm (tele) to infinity	Power	12 V DC +-5%, max 14.5 W
Angle of view	4.4° - 51.6° horizontal	Operating conditions	0-45 °C (32 - 113 °F) Humidity 20 - 80% RH (non-condensing)
Zoom	12x optical and 4x digital, total 48x	Temperature warning	Warning issued when temperature is below or above limits
Minimum illumination	Color: 1 lux at 30 IRE, F1.6 B/W: 0.3 lux at 30 IRE, F1.6	Installation, management and maintenance	Installation tool on CD and Web-based configuration Configuration backup and restore AXIS Camera Station One for recording. AXIS Camera Management for camera management. Firmware upgrades over HTTP or FTP, firmware available at www.axis.com
Pan Range	+/-170° (360° panning via Auto-flip)	Video access from web browser	Camera live view for up to 20 clients, video recording to file (ASF), sequence tour for up to 20 Axis video sources, customizable HTML pages
Tilt Range	180°	Minimum web browsing requirements	Pentium III CPU 500 MHz or higher, or equivalent AMD, 128 MB RAM, AGP graphics card 32 MB RAM, Direct Draw Windows XP, 2000, DirectX 9.0 or later Internet Explorer 6.x or later For other operating systems and browsers see www.axis.com/techsup
Max speed	Pan: 180°/sec, tilt: 140°/sec	System integration support	Open API for application integration, including AXIS VAPIX API*, AXIS Media Control SDK*, event trigger data in video stream Quality of Service (QoS) Layer 3, DiffServ Model Watchdog ensures continuous operation, event notifications can be monitored by other systems Embedded Linux operating system <i>* Available at www.axis.com</i>
Video compression	Motion JPEG MPEG-4 Part 2 (ISO/IEC 14496-2), ASP level 0-5, SP level 0-3	Supported protocols	IPv4/v6, HTTP, HTTPS, SSL/TLS*, TCP, QoS, SNMPv1/v2c/v3 (MIB-II), RTSP, RTP, UDP, IGMP, RTCP, SMTP, FTP, ICMP, DHCP, UPnP, Bonjour, ARP, DNS, DynDNS, SOCKS, NTP, IEEE 802.1X. More information on protocol usage available at www.axis.com <i>*This product includes software developed by the Open SSL Project for use in the Open SSL Tool kit (www.openssl.org)</i>
Resolutions	4CIF, 2CIFExp, 2CIF, CIF, QCIF Max 704x480 (NTSC) 704x576 (PAL) Min 176x120 (NTSC) 176x144 (PAL)	Accessories (included)	Indoor power supply AXIS PS-P 12VDC, hard ceiling and drop ceiling mount kits, clear and smoked domes, Installation Guide, CD with installation tool, software and User's Manual MPEG-4 licenses (1 encoder, 1 decoder) MPEG-4 decoder (Windows)
Frame rate	Motion JPEG: Up to 30/25 fps in all resolutions MPEG-4: Up to 30/25 fps at 2CIF/CIF/QCIF Up to 26/22 fps at 4CIF/2CIFExp	Video management software (not incl.)	AXIS Camera Station – Surveillance application for viewing, recording and archiving up to 25 cameras See www.axis.com/partner/adp_partners.htm for more software applications via partners
Video streaming	Simultaneous Motion JPEG and MPEG-4 Controllable frame rate and bandwidth Constant and variable bitrate (MPEG-4) 3GPP and ISMA compatible	Accessories (not incl.)	Outdoor housing solutions, outdoor power supply, IR illuminators, AXIS 295 Video Surveillance Joystick
Image settings	De-interlace (4CIF resolution) Compression levels: 100 Rotation: 0°, 180° Aspect ratio correction Configurable white balance, exposure control, brightness, sharpness and color mode Overlay capabilities: Zone ID, preset ID, time, date, PTZ coordinates, text or image Automatic or manual day/night mode Backlight compensation	Approvals	EN55024, EN55022 Class B, EN61000-3-2, EN61000-3-3, EN60950-1, FCC Part 15 Subpart B Class B, ICES-003 Class B, C-tick AS/NZS 3548. Power supply: UL, CSA, CE
Pan/tilt/zoom	Auto-flip, E-flip, 20 preset positions, sequence mode, control queue, image freeze, supports Windows compatible joysticks Designed for operator control <i>Not designed for continuous PTZ movements e.g. Guard tour. For continuous movement, please see Axis network dome offering</i>	Dimensions (H x W x D) and weight	128 x 153 x 131 mm (5.0" x 6.0" x 5.2") excl cover 132 x 162 x 149 mm (5.2" x 6.4" x 5.9") incl hard ceiling cover 730g incl hard ceiling cover 1260g incl drop ceiling mounting bracket and cover
Shutter time	NTSC: 4/3 - 1/50000 sec PAL: 8/5 - 1/50000 s		
Audio	Two-way (full or half duplex) or one-way G.711 PCM 64kbit/s, G.726 ADPCM 32 or 24 kbit/s Requires external microphone or line in. Mono audio output (line level) connects to PA system or active speaker with built-in amplifier		
Security	Multiple user access levels with password protection IP address filtering HTTPS encryption IEEE 802.1X network access control		
Users	20 simultaneous unicast users Unlimited users using multicast (MPEG-4)		
Alarm and event management	Events triggered by built-in multi-window motion detection, external input, audio detection PTZ preset position, or according to schedule Image upload over FTP, email and HTTP Notification over TCP, email, HTTP Pre- and post alarm buffering in Motion JPEG up to 9 MB (approx 4 min of CIF resolution video at 4 frames per sec)		

www.axis.com