

XC-1XT OUTDOOR DETECTOR

100lb ANIMAL IMMUNE / DUAL TECHNOLOGY



Get reliable outdoor detection and freedom from false alarms with ALEPH's XC-1XT 100 lb. Animal Immune Outdoor Detector loaded with unique innovations. Superior white-light and RFI immunity, SMD circuitry, and unique copper-plated circuit board provide outstanding performance and sensitivity. The XC-1XT incorporates a fully tested dual pyroelectric element, jumper selectable 2 / 4 pulse count, and a walk-test LED.

The hard cover XC-1XT Outdoor Detector is completely sealed against insects, and is unaffected by drafts. Wall mounting is fast and easy. Walk test LED verifies detection coverage and system readiness while visible from every angle.

XC-1XT

FEATURES

- 100 lb. Animal Immune
- Dual Technology
- Outdoor PIR / Microwave
- 2 Form C Relays
- UV / Waterproof
- PIR sensitivity
- Pulse Count selectable
- Selectable Dual Mode/Disable LED
- Selectable Enable / Disable LED
- 40' X 56' detection distance
- Pattern Recognition
- Optional Long Range Lens (80ft X 8ft)



★ TECHNOLOGY ★ QUALITY ★ INNOVATION ★ VALUE ★

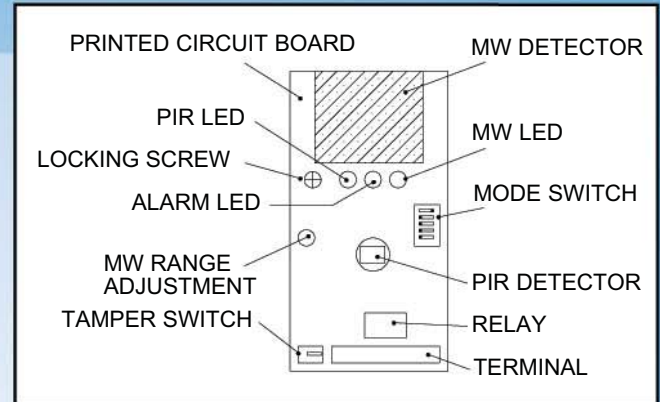
XC-1XT OUTDOOR DETECTOR

100LB ANIMAL IMMUNE / DUAL TECHNOLOGY

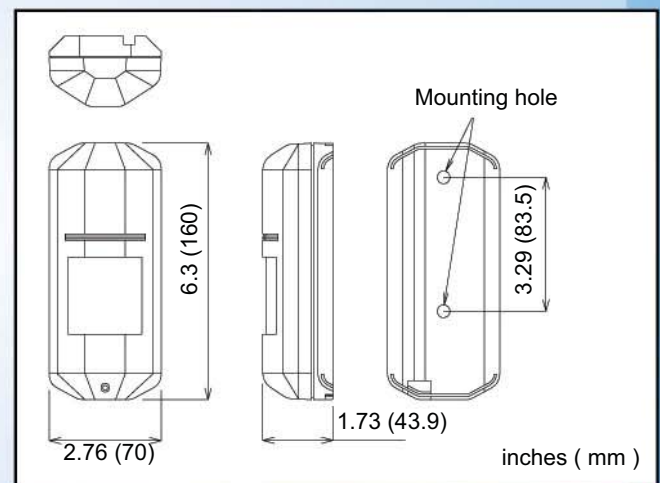
SPECIFICATIONS

Power Requirement	9.5 to 16VDC (Normal 12VDC)
Current Draw	35mA max.
PIR Detector	Dual-Element
PIR Detection Range	Standard - 40ft X 56ft
	Long range lens - 80ft X 8ft (option)
PIR Sensitivity Adjustment	Selectable (60 or 80 or 100 or 120%)
PIR Pulse Count	Selectable (2 or 4 pulses)
MW Detector	MIC Module (10.525GHz)
MW Range Adjustment	Volume Adjustment
MW Detection Range	20ft to 66ft (6m to 20m)
MW Pulse Count	2 pulses
Warm-up Period	50 ± 15 sec
Alarm Period	2 ± 0.4 sec
Alarm Display	Red LED monitor (ON/OFF selectable)
PIR Detection Display	Green LED ON
MW Detection Display	Orange LED ON
Relay Output	2C Contact (N.C./N.O) 30VDC 0.35A max.
Tamper Contact	N.C. dry contact 30VDC 0.5A max.
Operating Temperature	-15° F to +122° F (-26°C to +50°C)
Environment Humidity	95% max.
Dimensions(H ~ W ~ D)	6.3in.~ 2.76in.~ 1.73in. (160mm ~ 70mm ~ 43.9mm)
Weight	6.3oz(180g)
We may change specification and design without prior notice as part of its continuing program of product improvement.	

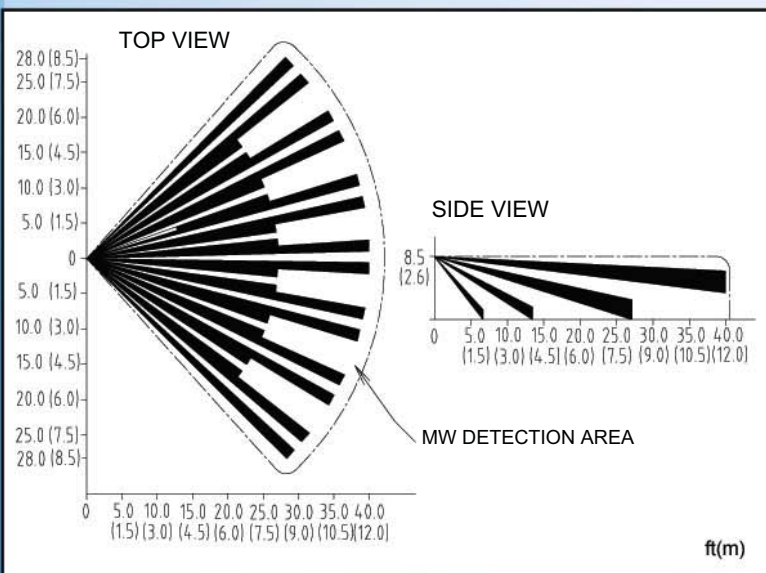
DESCRIPTION



DIMENSIONS



DETECTION PATTERN



1026 GRISWOLD AVENUE, SAN FERNANDO, CA 91340
TOLL FREE (800) 423-5622
PHONE: (818) 365-9856 FAX: (818) 365-7274

www.aleph-usa.com