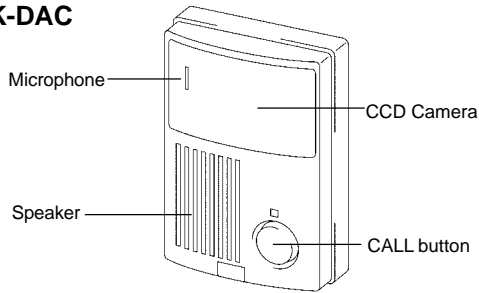


MK-Series Audio/Video Door Stations

Prism Lens PanTilt Cameras

MK-DAC



MK-DAC FEATURES:

- Easy two-wire installation
- Built-in infrared LED for low light conditions
- Programmable camera position memory
- Weather resistant for outdoor use
- Push button to call inside station(s)
- Hands free communication when master answers
- Compact surface mount design
- Mounts to 1-gang box or ring

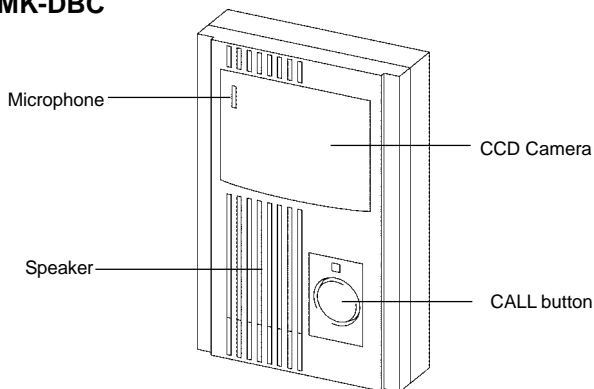
COMMON MK CAMERA SPECIFICATIONS:

System: MY-1CD, MY-2CD, LEF
 Scanning Lines: 525 Lines
 Min. Illumination: 1 lux (at a distance of 12")
 Camera Unit: CCD (Charged Coupled Device)
 Image Viewing Area: 35" V x 70" H (Overall)
 Wiring Distance: 165' w/22AWG; 330' w/18AWG
 Material: ABS plastic
 Color: Black

MK-DAC Specifications:

Mounting: Surface mount
 Backbox: 1-Gang box or ring
 Dimensions: 5" x 3-7/8" x 1-7/8"

MK-DBC



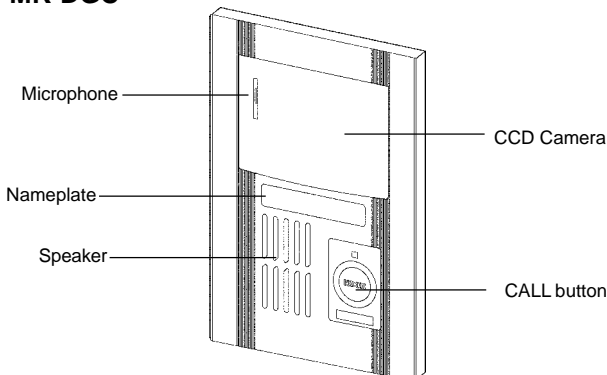
MK-DBC FEATURES:

- Easy two-wire installation
- Built-in infrared LED for low light conditions
- Weather resistant for outdoor use
- Push button to call inside station(s)
- Hands free communication when master answers
- Semi-flush mount design, black
- Mounts to 3-gang box or ring

MK-DBC Specifications:

Mounting: Semi Flush mount
 Backbox: 3-Gang box or ring
 Dimensions: 6-5/8" x 4-1/2" x 1-1/4"

MK-DGC



MK-DGC FEATURES:

- Anodized aluminum faceplate
- Nameplate for station identification
- Easy two-wire installation
- Built-in infrared LED for low light conditions
- Weather resistant for outdoor use
- Push button to call inside station(s)
- Hands free communication when master answer

MK-DGC Specifications:

Face Plate: Anodized Aluminum
 Mounting: Semi Flush mount
 Backbox: 3-Gang box or ring
 Dimensions: 6-5/8" x 4-1/2" x 1-1/4"