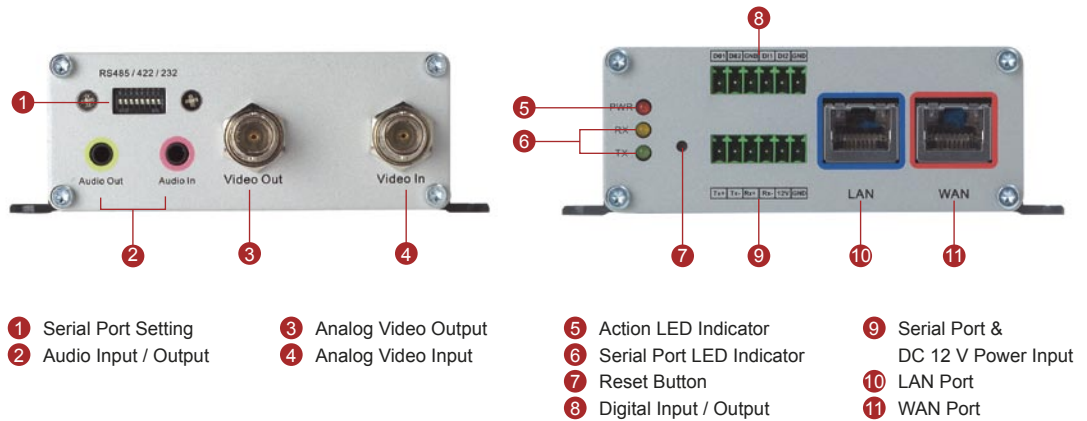


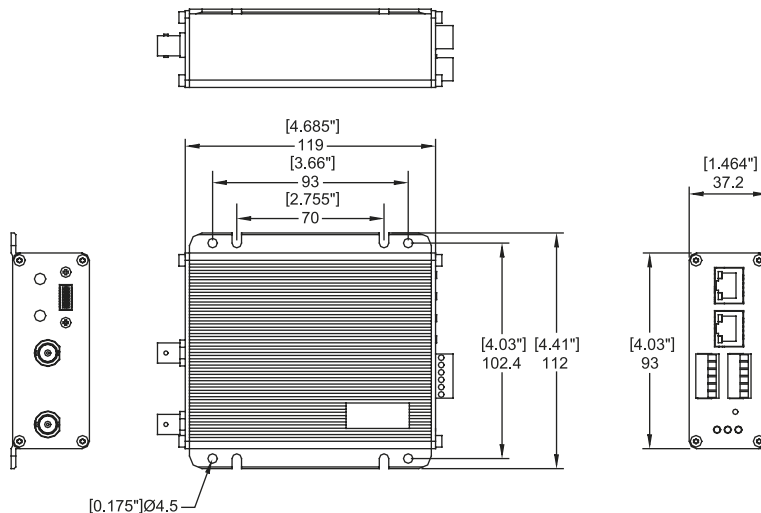
SED-2140



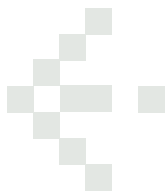
- MPEG-4 ASP compression
- CIF up to Full D1 resolution at 30/25 FPS
- Multi-stream with variable frame rate in the same compression
- Two way audio supported
- Hardware motion detection, Digital Input / Output
- Fail-over network protection and QoS enabled (L3) video streaming
- Hybrid analog and ethernet video output
- Extended temperature supported (SED-2140T)
- Optional rackmount kit available



DIMENSION DIAGRAM



Unit: mm [inch]

**PRODUCT SPECIFICATION**

Video (Compression)		External I/O	
Compression	MPEG-4 ASP compliant compression	Reset Button	Factory default
Resolution	Full D1 (720 x 480 in NTSC, 720 x 576 in PAL) CIF (352 x 240 in NTSC, 352 x 288 in PAL) QCIF (160 x 112 in NTSC, 176 x 144 in PAL)	LED	System status
Bit Rate	28 K ~ 3 M bps	Network	
Image Frame Rate	30 fps at full D1 resolution (NTSC) 25 fps at full D1 resolution (PAL)	LAN Port	Ethernet (10/100Base-T), RJ-45 connector
Multi-stream	Up to 4 configurable frame rate/bit rate for preview and recording	WAN Port	Ethernet (10/100Base-T), RJ-45 connector
Video Input		Protocol	TCP, UDP, IP, HTTP, DHCP, PPPoE, RTP, RTSP, FTP, SMTP, DNS, DDNS, NTP, ICMP, IGMP, ARP
Composite Input	CVBS, 1.0Vp-p with 75 Ω loading, BNC connector	Software	
Video Output		Web Browser	Microsoft Internet Explorer 6.0 or above
Composite Output	CVBS, 1.0Vp-p with 75 Ω loading, BNC connector	SDK	ACTi SDK-10000
Audio Input		PTZ Protocol*	Pelco-P_type1, Pelco-P_type2, Pelco-D, Dynacolor, Samsung, VCL, Videotrek, Kampro-V1, Kampro-V2
Compression	8 kHz, Mono, PCM	Security	
Audio Line Input	Unbalanced, 1.4Vp-p, 1 Vrms 3.5 mm Phone Jack	Security	Password protection : configured by the administrator
Audio Output		Operating	
Compression	8 kHz, Mono, PCM	Temperature	5 °C ~ 50 °C (40 °F ~ 122 °F), SED-2140; -30 °C ~ 70 °C (-22 °F ~ 158 °F), SED-2140T
Audio Line Output	Unbalanced, 1.4Vp-p, 1 Vrms 3.5 mm Phone Jack	Power	
Alarm		Power Requirement	DC 12 V ±10%
Input	2, TTL, terminal block	Power Consumption	7.5 W
Output	2, TTL, terminal block	Physical	
Remote Control		Dimensions (WxHxD)	112 mm x 37.2 mm x 119 mm (4.41" x 1.46" x 4.68")
Serial Port	RS-485: half duplex, terminal block RS-422: full duplex, terminal block RS-232: full duplex, terminal block	Weight	350 g (0.66 lb)

* These PTZ protocols are supported in ACTi NVR and Streaming Explorer.

ORDERING INFORMATION

Model Name	Full D1	Extended Temperature
SED-2140	V	
SED-2140T	V	V