

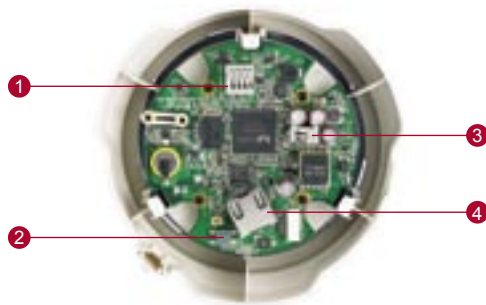
ACM-3511

Megapixel IP Fixed Dome Camera

Preliminary

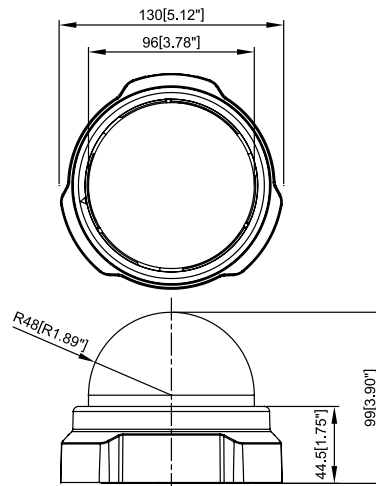


- 1/3" Micron Progressive Scan CMOS
- Day and night function with Mechanical IR Cut Filter
- Integrated f3.3~12 mm / F1.6 Megapixel lens
- 0 Lux (IR LED ON)
- Selectable MPEG-4 / MJPEG compression
- Up to SXGA resolution at 8 FPS
- Multi-stream with variable frame rate in the same compression
- Two-way audio supported
- Hardware motion detection
- DC 12 V or Power over Ethernet (IEEE 802.3af) supported
- Surface and wall mount supported

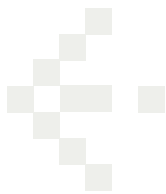


- | | |
|------------------------|-----------------------|
| 1 Audio Input / Output | 3 DC 12 V Power Input |
| 2 Reset Button | 4 Ethernet Port |

DIMENSION DIAGRAM



Unit: mm [inch]



PRODUCT SPECIFICATION

		ACM-3511
Image	Device	Micron Progressive Scan CMOS
	Size	1/3 inch
	Effective Pixels	1280 x 1024
Min. scene Illumination	Color	Color mode automatically switched to B/W mode under 4 Lux
	B/W	0 Lux (IR LED ON)
	IR Sensitivity	from 700 nm to 1100 nm
	IR LED	IR LED x24 (850 nm)
	CDS Sensor	Yes
	IR Working Distance	10 ~ 20 M (30 IRE)
Lens	Lens	f3.3 ~ 12 mm / F1.6
	Viewing Angle	89.8° ~ 13.9° (Horizontal)
Camera Angel Adjustmeny	X (Panning)	0° ~330°
	Y (Tilting)	30° ~90°
Synchronization	Sync. System	Internal
Day/Night Functions	Mechanical IR Cut Filter	Yes
Functions	Motion Detection	Yes (3 Windows)
	Electronic shutter	1/5 ~ 1/2,000 sec. (60Hz); 1/5 ~ 1/2,000 sec. (50Hz)
	Flickerless	1/120 sec. (60Hz); 1/100 sec. (50Hz)
	BLC	Yes
	AGC	Automatic (User defined)
	White Balance	6 modes (AUTO,INDOOR1,INDOOR2,OUTDOOR1,OUTDOOR2, HOLD CURRENT,MANUAL) configurable
S/N Ratio	S/N Ratio	Better than 44 dB
Video Compression	Compression	MPEG-4 SP, MJPEG selectable
	Picture Resolution	SXGA (1280x1024); HD 720 (1280x720); VGA (640x480); QVGA (320x240); QQVGA (160 x 112)
	Image Frame Rate	SXGA at 8 fps; HD720 at 10 fps; VGA at 30 fps; QVGA at 30 fps; QQVGA at 30 fps
Audio Input	Compression	8kHz, Mono, PCM
	Audio Line Input	Unbalanced, 1.4Vp-p, 1Vrms, terminal block
Audio Output	Compression	8kHz, Mono, PCM
	Audio Line Output	Unbalanced, 1.4Vp-p, 1Vrms, terminal block
External I/O	Reset Button	Factory default
Casing	Mount Tpyes	Surface / Wall (option)
	Ethernet	Ethernet (10/100 Base-T), RJ-45 connector
Network	Protocol	TCP, UDP, IP, HTTP, DHCP, PPPoE, RTP, RTSP,FTP,SMTP,DNS,DDNS,NTP,ICMP,IGMP,ARP,3GPP
	Web Browser	Microsoft Internet Explorer 6.0 or above
Software	SDK	ActiveX control, C SDK
	Security	Password protection: configured by the administrator
Operating	Temperature	-10 °C ~ 45 °C (14 °F ~ 112 °F)
Power	Power Requirement	PoE (IEEE802.3af) with Class 3
	Power Consumption	5.0W (DC 12 V); 6.8W (PoE)
Physical	Dimensions (ØxL)	130 mm x 99 mm (5.12" x 3.90")
	Weight	380 g (0.84 lb)

ORDERING INFORMATION

Model Name	Description
ACM-3511	Megapixel IP Indoor D/N IR Fixed Dome

ACCESSORY OPTIONS

- Wall mount kit MTB-201-R0



MTB-201-R0

* All specifications are subject to change without notice.
 * All brand names and registered trademarks are the property of their respective owners.