



ACM-3211

IP IR Eyeball Dome Camera

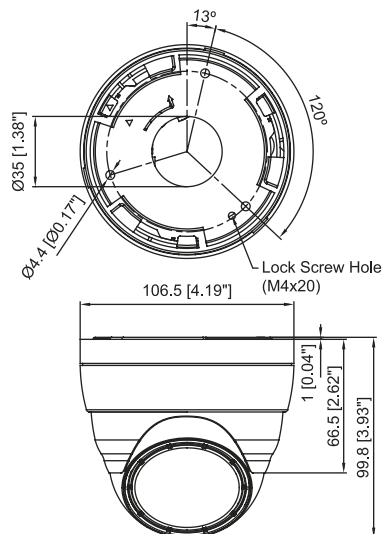


- 1/3" Sony SuperHAD CCD
- Integrated 4.3 mm F2.0 fixed lens
- 0 Lux (IR LED ON)
- Backlight Compensation, Auto White Balance supported
- Selectable MPEG-4 / MJPEG compression
- CIF up to Full D1 resolution at 30/25 FPS
- Multi-stream with variable frame rate in the same compression
- Two-way audio supported
- Hardware motion detection
- Power over Ethernet (IEEE 802.3af) supported
- Free rotating ball joint mechanical design allows coverage of all angles
- Surface, and wall mount supported

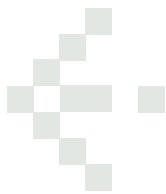


- | | |
|------------------------|-----------------------|
| 1 Audio Input / Output | 3 DC 12 V Power Input |
| 2 Reset Button | 4 Ethernet Port |

DIMENSION DIAGRAM



Unit: mm [inch]



PRODUCT SPECIFICATION

		ACM-3211
Image	Device	SONY SuperHAD CCD
	Size	1/3 inch
	Effective Pixels	537 x 505 (NTSC); 537 x 597 (PAL)
	Horizontal Resolution	420 TVL
Min. Scene Illumination	Color	0 Lux (w/IR) IR LED ON at 4 Lux / Controlled by a CDS sensor
	IR Sensitivity	from 700 nm to 1100 nm
	IR LED	IR LED x24 (850 nm)
	CDS Sensor	Yes
Lens	IR Working Distance	10 ~ 15 M (30 IRE)
	Focal Length	f4.3 mm / F2.0
Camera Angle Adjustment	Viewing Angle	63° (Horizontal)
	X (Panning)	0° ~ 360°
	Y (Tilting)	0° ~ 180°
Synchronization	Z (Rotating)	0° ~ 360°
	Sync. System	Internal
Day/Night Functions	Mechanical IR Cut Filter	N/A
Functions	Motion Detection	Yes (3 windows)
	Electronic shutter	1/60 ~ 1/100,000 sec. (NTSC) 1/50 ~ 1/100,000 sec. (PAL)
	BLC	Automatic
	AGC	Automatic
	White Balance	AWB
S/N Ratio	S/N Ratio	Better than 48 dB
Video Compression	Compression	MPEG-4 SP, MJPEG selectable
	Picture Resolution	Full D1 (720x480 in NTSC, 720x576 in PAL) VGA (640x480 in NTSC, 640x480 in PAL) CIF (352x240 in NTSC, 352x288 in PAL) QCIF (176x120 in NTSC, 176x144 in PAL)
	Bit Rate	28 K ~ 3 M bps
	Image Frame Rate	30 fps at full D1 resolution (NTSC) 25 fps at full D1 resolution (PAL)
Audio Input	Compression	8 kHz, Mono, PCM
	Audio Line Input	Unbalanced, 1.4 Vp-p, 1Vrms, terminal block
Audio Output	Compression	8 kHz, Mono, PCM
	Audio Line Output	Unbalanced, 1.4 Vp-p, 1Vrms, terminal block
Casing	Mount Types	Surface / Wall (option)
External I/O	Reset Button	Factory default
	Ethernet	Ethernet (10/100Base-T), RJ-45 connector
Network	Protocol	TCP, UDP, IP, HTTP, DHCP, PPPoE, RTP, RTSP, FTP, SMTP, DNS, DDNS, NTP, ICMP, IGMP, ARP, 3GPP
	Web Browser	Microsoft Internet Explorer 6.0 or above
Software	SDK	ACTi SDK-10000
	Security	Password protection: configured by the administrator
Operating	Temperature	-10 °C ~ 50 °C (14 °F ~ 122 °F)
Power	Power Requirement	PoE (IEEE802.3af) with Class 3
	Power Consumption	5.7 W (DC 12 V) w/ IR ON 7.0 W (PoE) w/ IR ON
Physical	Dimensions (ø x L)	106.5 mm X 99.8 mm (4.19" x 3.93")
	Weight	320 g (0.7 lb)

ORDERING INFORMATION

Model Name	NTSC	PAL	DC 12 V / PoE
ACM-3211N	V		V
ACM-3211P		V	V

ACCESSORY OPTIONS

• Wall mount kit

MTB-201-R0



MTB-201-R0

* All specifications are subject to change without notice.
* All brand names and registered trademarks are the property of their respective owners.